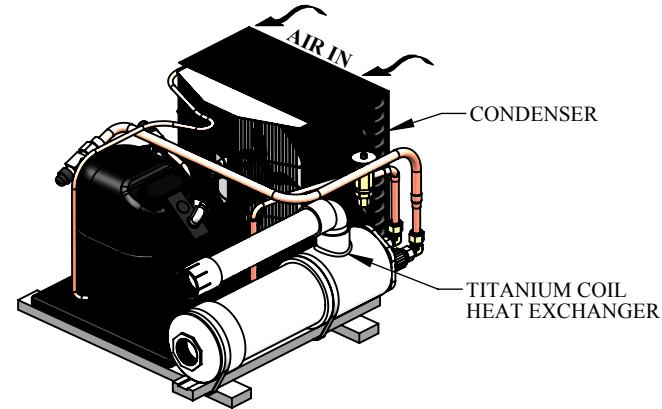
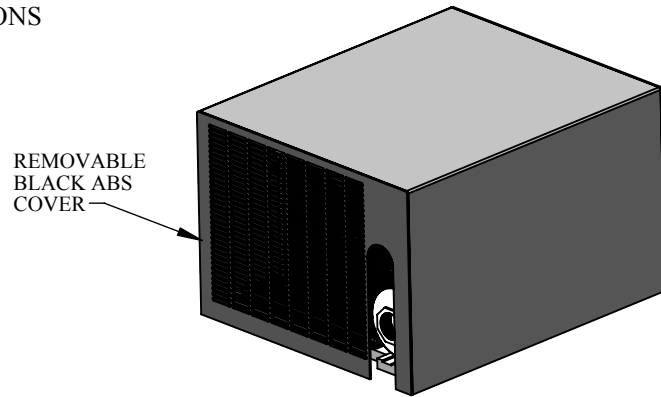


DS-7 THRU DS-10 CHILLER SPECIFICATION

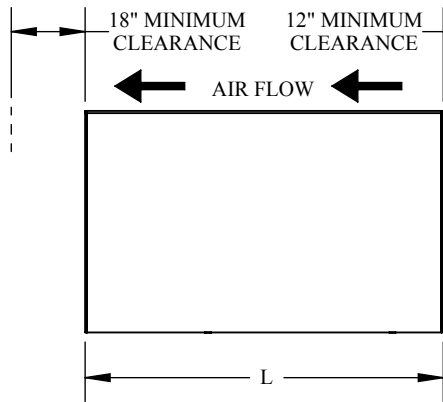
FOR INDOOR FRESH AND SALT WATER APPLICATIONS



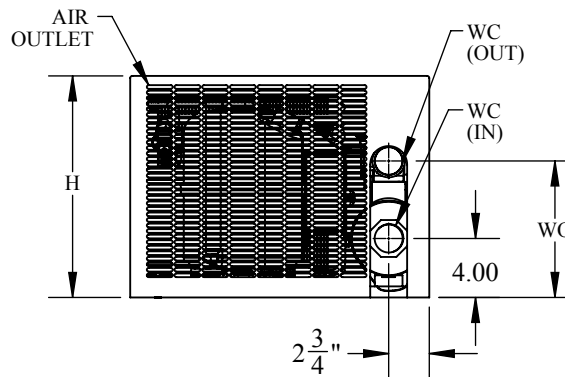
POWER CORD PLUG TYPE



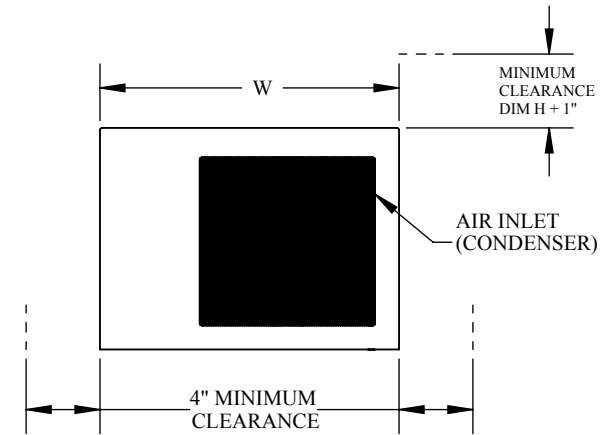
#6-15P
DS-8 THRU DS-10



LEFT SIDE



FRONT



BACK

WO: WATER OUTLET

WC: WATER CONNECTION SIZE

· ALL MODELS INCLUDES 18" LONG POWER CORD.

CHILLER SPECIFICATIONS

MODEL NO.	HP	NOMINAL BTUH	REFRIGERANT TYPE/ CHARGE	VOLTS / PHASE	AMPS.	WATTS	WATER FLOW RATE (GPM)	AIR OUTPUT (CFM)	L	W	H	WO	WC WATER IN / OUT (FPT)	SHIPPING WEIGHT (LBS.)	SHIPPING DIMENSIONS (IN.)
DS-7	3/4	9500	R134A / 2.4 LBS	115	13	1495	15-30	590	24 1/4"	20 1/4"	15 1/4"	9 1/4"	1 1/2"	145	33 x 26 x 22
DS-8	3/4	9500	R134A / 2.4 LBS	230 / 1	7	1610	15-30	590	24 1/4"	20 1/4"	15 1/4"	9 1/4"	1 1/2"	145	33 x 26 x 22
DS-9	1	12,000	R134A / 3 LBS	230 / 1	7.2	1656	20-35	610	25 3/4"	23 3/4"	15 1/4"	9 1/4"	1 1/2"	150	33 x 26 x 22
DS-10	1 1/2	21,000	R417A / 4 LBS	230 / 1	10.5	2415	25-40	772	26 1/4"	26"	17 1/2"	12"	1 1/2"	190	36 x 32 x 25

NOTES:

- ALL CHILLERS ARE SUPPLIED STANDARD WITH TXV'S FOR WATER TEMPERATURES RANGING BETWEEN 40-80°F, MAXIMUM AIR TEMPERATURE IS 100°F, MINIMUM AIR TEMPERATURE IS 55°F. CONSULT AQUA LOGIC FOR AIR TEMPERATURES OUTSIDE THIS RANGE.
- ALL DIMENSIONS ARE APPROXIMATE AND CAN CHANGE WITHOUT NOTICE.



9558 Camino Ruiz, San Diego, CA 92126

DRAWING # PDF-0018

SHEET TITLE
DS-7 THRU DS-10
CHILLER
SPECIFICATION

* COPYRIGHT *
These drawings including design idea and construction techniques herein are the sole property of Aqua Logic Inc. They shall not be revised, copied, or reproduced in any manner without the written consent of Aqua Logic Inc.

DESCRIPTION
DELTA STAR AIR COOLED WATER CHILLERS

DRAWN BY Arnaldo Guzman
DATE 11/12/2015
REVISION

SCALE 1:13
SHEET # 1 OF 1