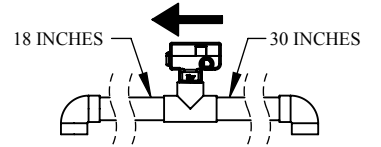
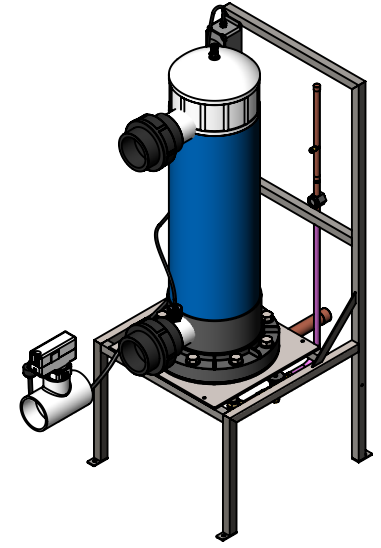
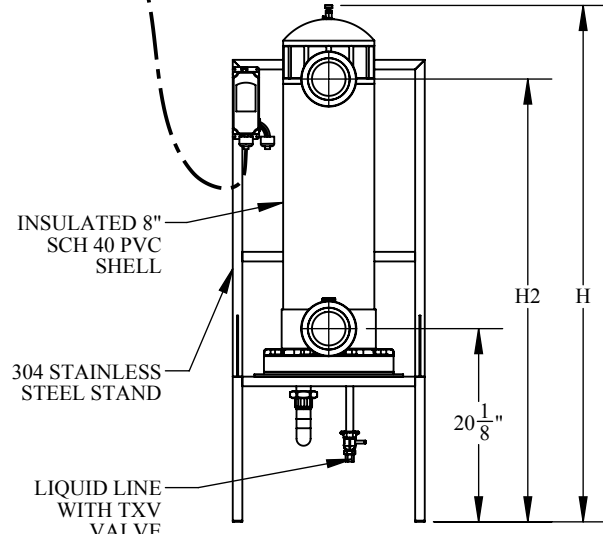
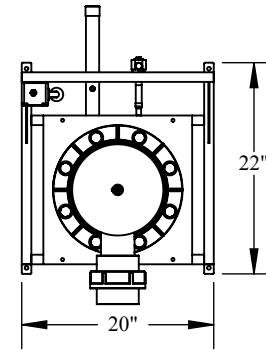
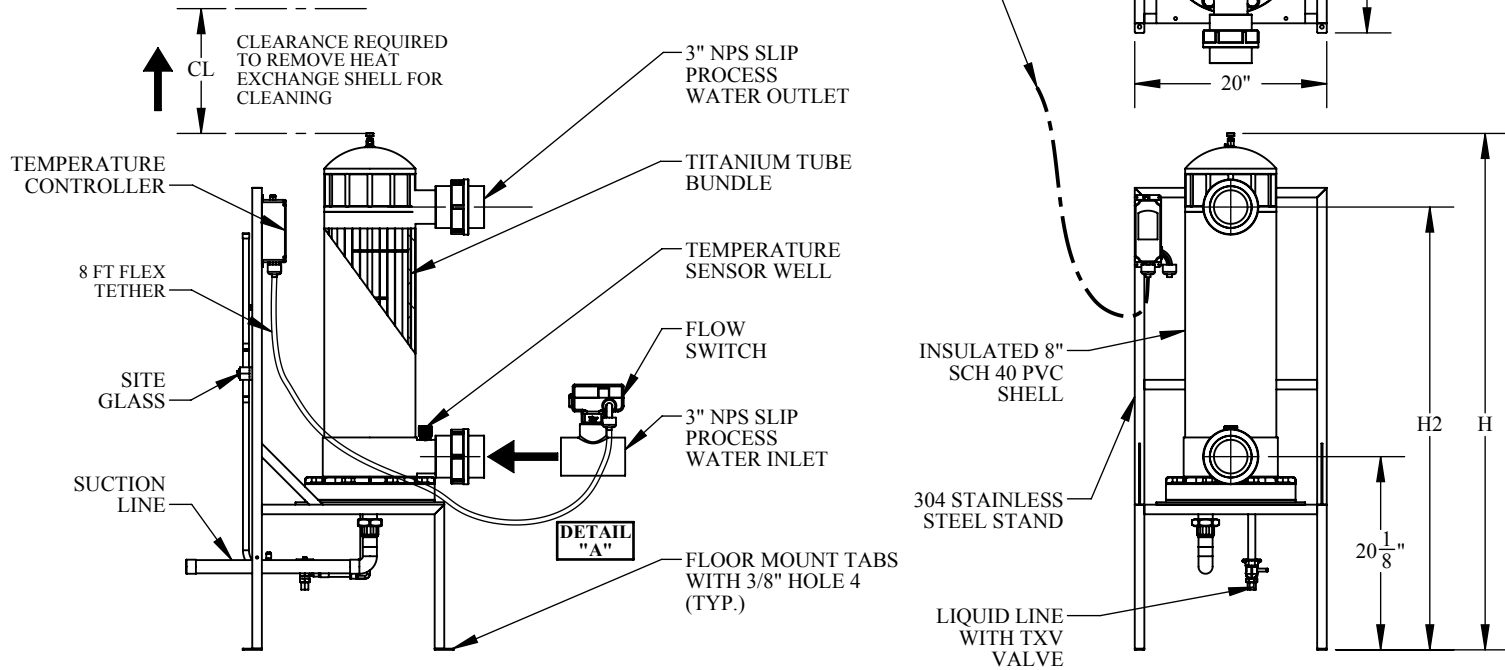


HX-150-DX THRU HX-240-DX, BASS PRO SPECIFICATION

-FOR INDOOR FRESH AND SALT WATER APPLICATIONS
-R-410A REFRIGERANT

TEMPERATURE CONTROL WIRE
FIELD WIRING: INSTALL 24VAC 18/3 AWG WIRE FROM OUTDOOR CONDENSING UNIT TO THE CONTROLLER ON INDOOR HEAT EXCHANGER (EVAPORATOR).



**** IMPORTANT! ****
DETAIL "A"
· FLOW SWITCH MUST BE FIELD INSTALLED HORIZONTALLY WITH NO LESS THAN 30 INCHES OF STRAIGHT PIPE ON THE INLET SIDE AND NO LESS THAN 18 INCHES ON THE OUTLET SIDE.

HEAT EXCHANGER SPECIFICATIONS								
MODEL NO.	TONS	**NOMINAL BTUH / KW	REFRIGERANT CONNECTION NO. OF CIRCUITS INLET / OUTLET (ODF)	WATER FLOW RATE (GPM)	H	H2	CL	SHIPPING DIMENSIONS (IN.)
HX-150-DX	10	120K / 43.9	1 @ 5/8" / 1 3/8"	120 / 180	68"	62"	56"	73 x 35 x 25
HX-180-DX	15	180K / 51.2	1 @ 5/8" / 1 5/8"	120 / 180	80"	74"	64"	85 x 35 x 25
HX-240-DX	20	240K / 65.3	2 @ 1/2" / 1 3/8"	120 / 180	92"	86"	76"	97 x 35 x 25

**NOMINAL BTUH BASED ON 75°F WATER TEMPERATURE, R-410A REFRIGERANT, 45°F SUCTION TEMPERATURE, 100°F LIQUID TEMPERATURE, AND 8-10°F SUPER HEAT.

- NOTES:**
- WATER INLET TEMPERATURE: MAX 90 °F. MINIMUM 40 °F.
 - OUTDOOR MATCHED CONDENSING UNITS ALSO AVAILABLE.
 - ALL DIMENSIONS ARE APPROXIMATE AND MAY CHANGE AT ANY TIME.
 - FIELD WIRING: INSTALL 24V 18/3 AWG WIRE FROM OUTDOOR CONDENSING UNIT TO THE CONTROLLER ON INDOOR HEAT EXCHANGER (EVAPORATOR).
 - MODELS HX-150-DX AND HX-180-DX COME STANDARD WITH SINGLE CIRCUITS.
 - MODELS HX-150-DX AND HX-180-DX ARE AVAILABLE WITH DUAL REFRIGERANT CIRCUITS UPON REQUEST.
 - 200 PSI MAX NITROGEN TEST PRESSURE.
 - 250 PSI MAX RUNNING REFRIGERANT PRESSURE.
 - 50 PSI MAX HEAT EXCHANGER PVC SHELL WATER PRESSURE.



9558 Camino Ruiz, San Diego, CA 92126

* COPYRIGHT * These drawings including design idea and construction techniques herein are the sole property of Aqua Logic Inc. They shall not be revised, copied, or reproduced in any manner without the written consent of Aqua Logic Inc.	DESCRIPTION DIRECT EXPANSION BASS PRO HEAT EXCHANGERS		DRAWING # PDF-0041	SHEET TITLE HX-150-DX THRU HX-240-DX SPECIFICATIONS	
	DRAWN BY ARNALDO GUZMAN	DATE 8/26/2015	REVISION	SCALE 1:20	SHEET # 1 OF 1