

HX-24-W THRU HX-60-W SPECIFICATION

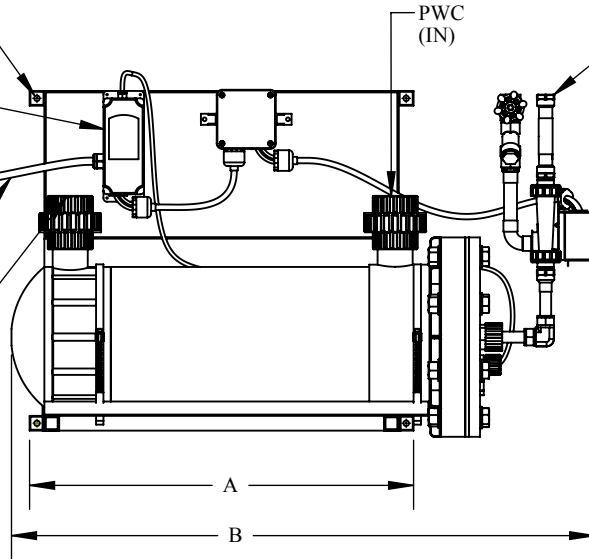
USED FOR INDOOR FRESH AND SALT WATER APPLICATIONS

3/8" MOUNTING HOLE (TYP. 4)

DIGITAL TEMPERATURE CONTROLLER

4' CORD

PWC (OUT)



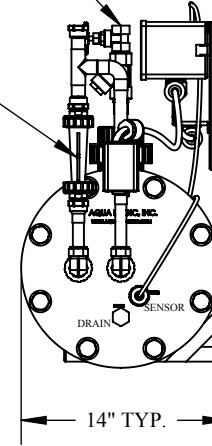
FRONT VIEW

COLD / HOT WATER INLET

COLD / HOT WATER OUTLET

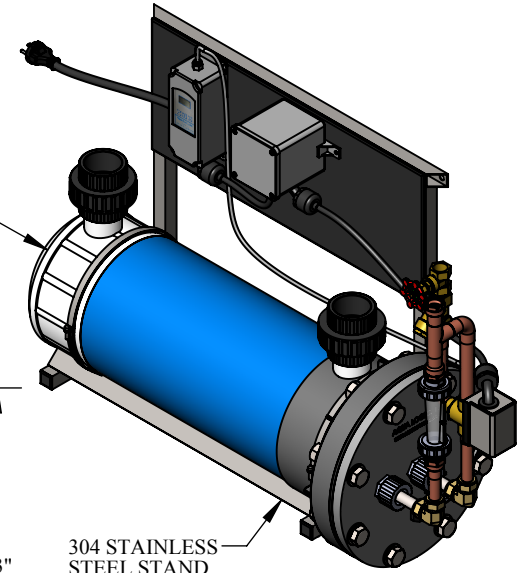
COLD / HOT WATER FLOW METER

3 WAY MOTORIZED WATER VALVE



SIDE VIEW

TITANIUM COIL PVC HEAT EXCHANGER



304 STAINLESS STEEL STAND

23"

POWER CORD PLUG TYPE



#5-15P MALE PLUG
1 AMP @ 115 VOLT

PWC: PROCESS WATER CONNECTION SIZE

HEAT EXCHANGER SPECIFICATIONS							
MODEL NO.	*NOMINAL BTUH / KW	PROCESS WATER FLOW RATE (GPM)	COLD / HOT WATER FLOW RATE (GPM)*	A	B	PWC IN / OUT (SLIP)	COLD / HOT WATER SUPPLY IN / OUT (FPT)
HX-24-W	24K / 7	40	5 / 2.5	18 1/2"	34"	2"	1/2"
HX-36-W	36K / 10.5	40	7 / 3.5	26"	41"	2"	3/4"
HX-48-W	48K / 14	60	10 / 5	33 1/2"	49"	2"	3/4"
HX-60-W	60K / 17.5	60	12 / 6	41"	56.5"	2"	3/4"

***NOTE:**

- *FLOW RATE (GPM) AND (BTU) RATING IS BASED ON 40°F EWT @ 10°F Δ T (COLD) OR 180 °F EWT @ 20 °F Δ T (HOT) WATER SUPPLY.
- CONTACT AQUA LOGIC FOR SIZING IF, PARAMETERS DIFFER FROM ABOVE.
- ALL DIMENSIONS ARE AN APPROXIMATION AND CAN CHANGE AT ANY TIME.

OPTIONS:

- SCH 80 PVC HEAT EXCHANGER.
- SCH 40 OR SCH 80 CPVC HEAT EXCHANGER (CPVC RECOMMENDED FOR ALL HOT WATER APPLICATIONS WHERE HOT WATER FEED EXCEEDS 130°F).
- 316 STAINLESS STEEL STAND AND HARDWARE.



9558 Camino Ruiz, San Diego, CA 92126

DRAWING # PDF-0040 SHEET TITLE HX-24-W THRU 60-W SPECIFICATIONS

* COPYRIGHT * These drawings including design idea and construction techniques herein are the sole property of Aqua Logic Inc. They shall not be revised, copied, or reproduced in any manner without the written consent of Aqua Logic Inc.		DESCRIPTION WATER TO WATER HEAT EXCHANGERS			DRAWN BY Arnaldo Guzman		DATE 11/12/2015		REVISION		SCALE 1:12		SHEET # 1 OF 1	
---	--	---	--	--	----------------------------	--	--------------------	--	----------	--	---------------	--	-------------------	--