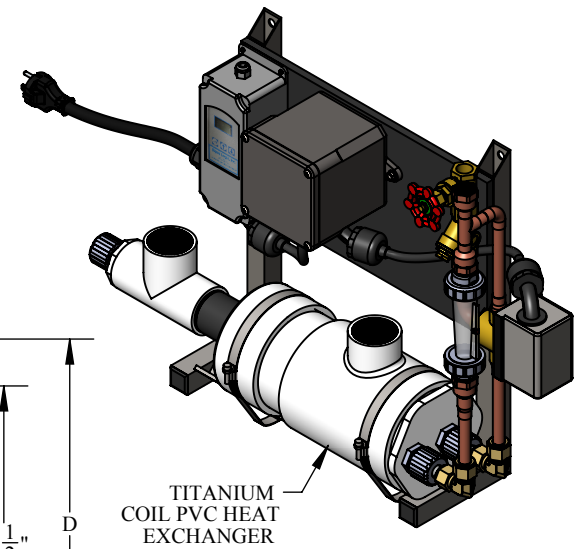
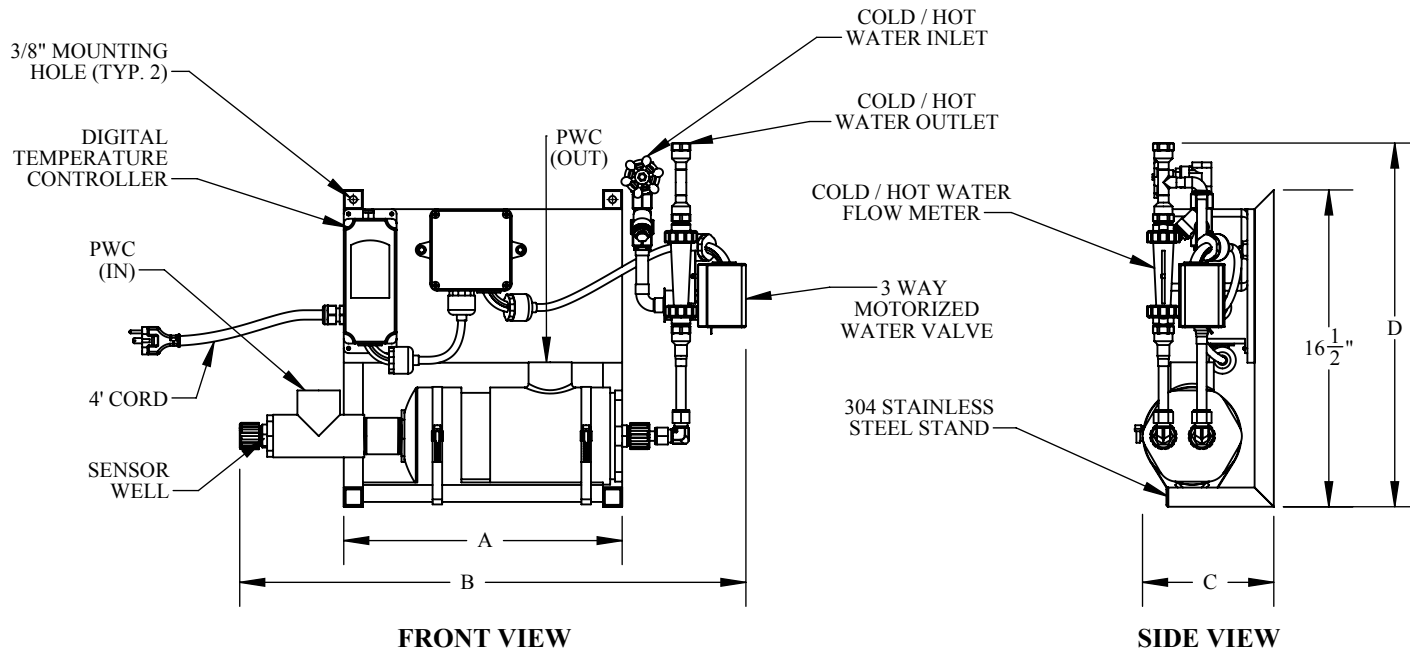


HX-3-W THRU HX-12-W SPECIFICATION

USED FOR INDOOR FRESH AND SALT WATER APPLICATIONS



POWER CORD PLUG TYPE



#5-15P MALE PLUG
1 AMP @ 115 VOLT

PWC: PROCESS WATER CONNECTION SIZE

HEAT EXCHANGER SPECIFICATIONS									
MODEL NO.	*NOMINAL BTUH / KW	PROCESS WATER FLOW RATE (GPM)	COLD / HOT WATER FLOW RATE (GPM)*	A	B	C	D	PWC IN / OUT (FPT)	COLD / HOT WATER SUPPLY IN / OUT (FPT)
HX-3-W	3,000 / 0.9	15	0.6 / .3	14 1/2"	21"	6 1/4"	18"	3/4"	1/2"
HX-4-W	4,000 / 1.1	20	0.8 / .4	14 1/2"	23"	6 1/4"	18"	3/4"	1/2"
HX-6-W	6,000 / 1.7	25	1.2 / .6	14 1/2"	24"	6 3/4"	18"	1 1/2"	1/2"
HX-9-W	9,000 / 2.6	30	1.8 / .9	17 1/2"	31"	6 3/4"	18"	1 1/2"	1/2"
HX-12-W	12,000 / 3.5	35	2.4 / 1.2	17 1/2"	34"	6 3/4"	18"	1 1/2"	1/2"

- *NOTE:**
- *FLOW RATE (GPM) AND (BTU) RATING IS BASED ON 40 °F EWT @ 10 °F ΔT (COLD) OR 180 °F EWT @ 20 °F ΔT (HOT) WATER SUPPLY.
 - CONTACT AQUA LOGIC FOR SIZING IF, PARAMETERS DIFFER FROM ABOVE.
 - ALL DIMENSIONS ARE AN APPROXIMATE AND CAN CHANGE AT ANY TIME.

OPTIONS

- SCH 80 PVC HEAT EXCHANGER.
- SCH 40 OR SCH 80 CPVC HEAT EXCHANGER (CPVC RECOMENDED FOR ALL HOT WATER APPLICATIONS WHERE HOT WATER FEED EXCEEDS 130°F).
- 316 STAINLESS STEEL STAND AND HARDWARE.



9558 Camino Ruiz, San Diego, CA 92126

DRAWING # PDF-0043 SHEET TITLE HX-3-W THRU HX-12-W SPECIFICATIONS

* COPYRIGHT * These drawings including design idea and construction techniques herein are the sole property of Aqua Logic Inc. They shall not be revised, copied, or reproduced in any manner without the written consent of Aqua Logic Inc.		DESCRIPTION WATER TO WATER HEAT EXCHANGERS		DRAWN BY Arnaldo Guzman		DATE 11/12/2015		REVISION A		SCALE 1:10		SHEET # 1 OF 1	
---	--	---	--	----------------------------	--	--------------------	--	---------------	--	---------------	--	-------------------	--