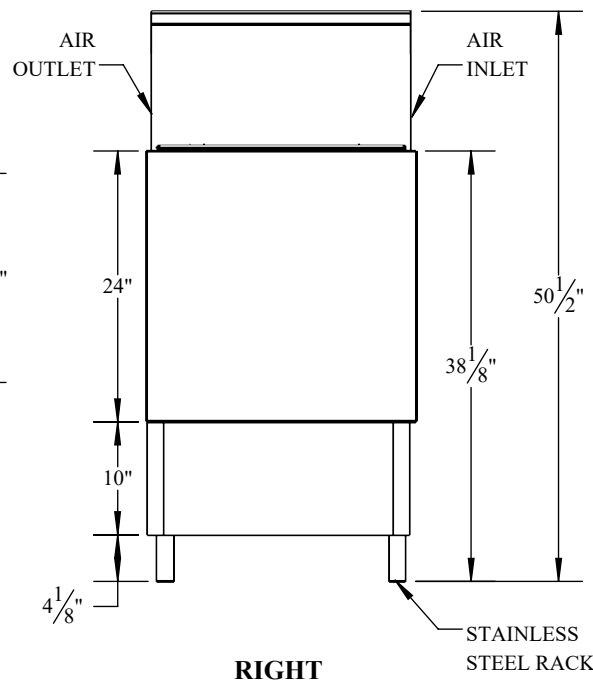
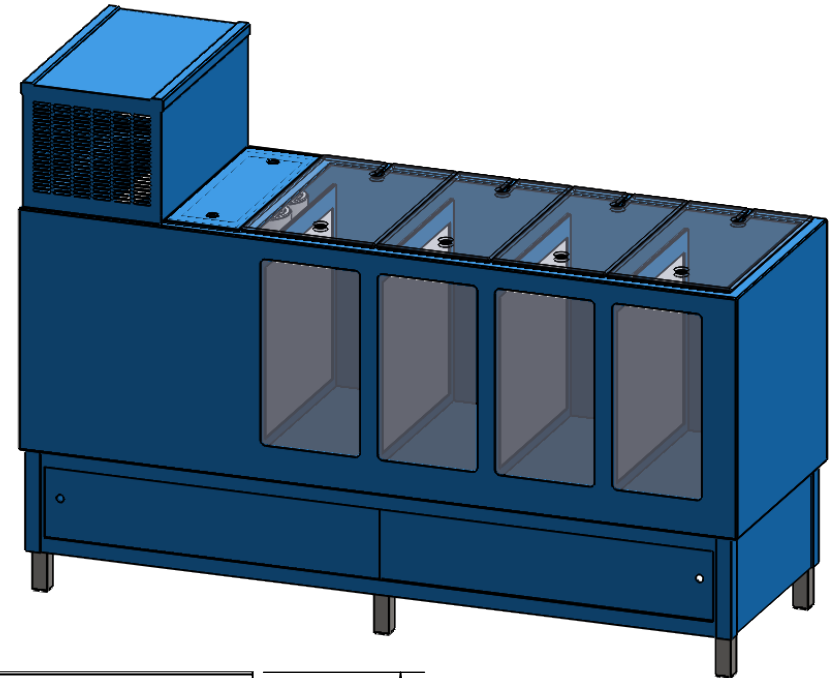
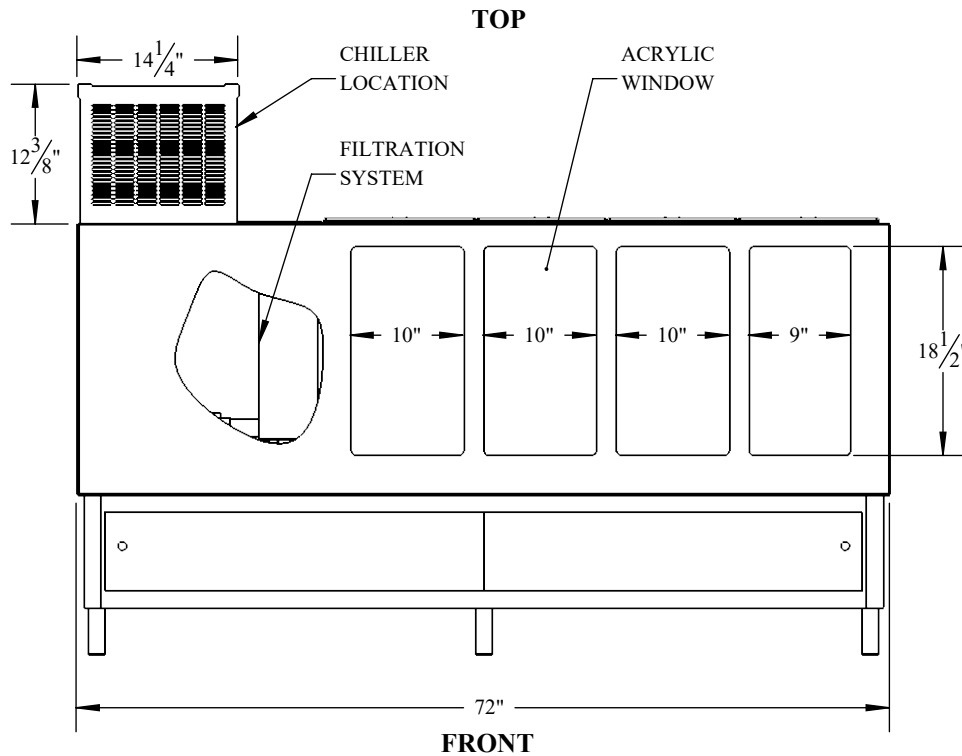
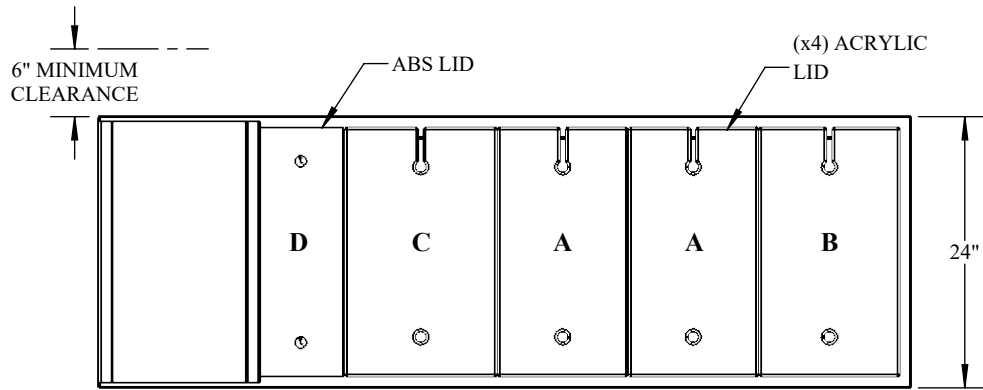


ALBT-64



TANK LID DIMENSIONS	
A	11 1/2" x 22"
B	12 1/2" x 22"
C	13 1/2" x 22"
D	7 1/2" x 22"

- CHILLER 1/4 HP 115V 5.4 AMPS
- SUBMERSIBLE WATER PUMP 115V .82 AMPS

NOTES:
 -TANK REQUIRES A DEDICATED 115 VOLT 15 AMP OUTLET CIRCUIT.
 -ALL DIMENSIONS ARE APPROXIMATE AND CAN CHANGE WITHOUT NOTICE.

* COPYRIGHT *
 These drawings including design idea and construction techniques herein are the sole property of Aqua Logic Inc. They shall not be revised, copied, or reproduced in any manner without the written consent of Aqua Logic Inc.

DESCRIPTION	DATE	REVISION
BAIT TANKS	5/4/2020	
DRAWN BY		
Arnaldo Guzman		



9558 Camino Ruiz, San Diego, CA 92126

DRAWING #	SHEET TITLE
	ALBT-64 SPECIFICATIONS
SCALE	SHEET #
	1 OF 1