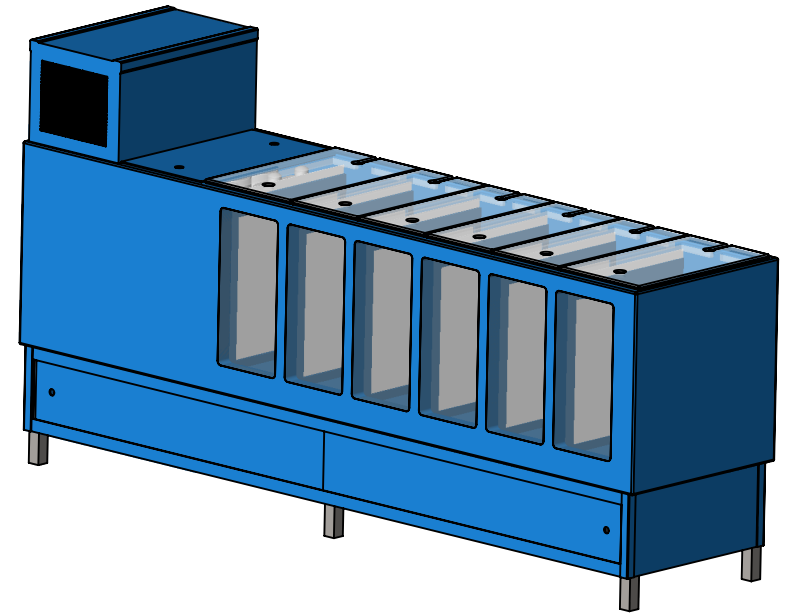
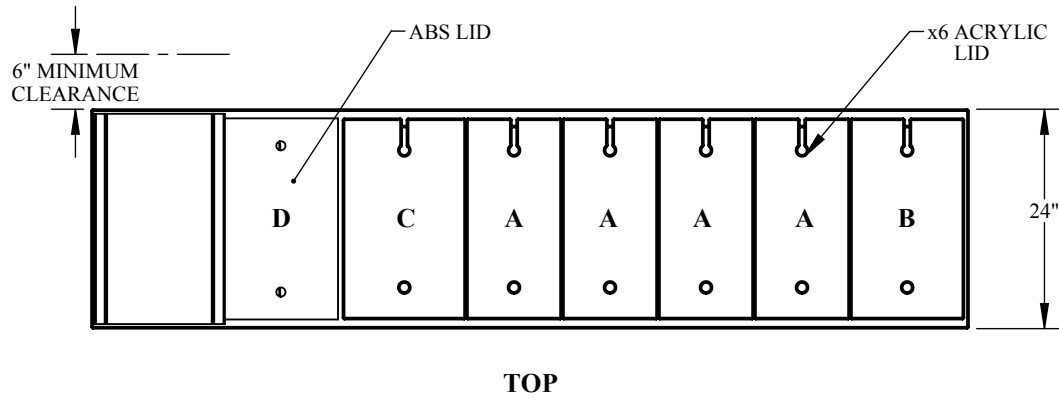
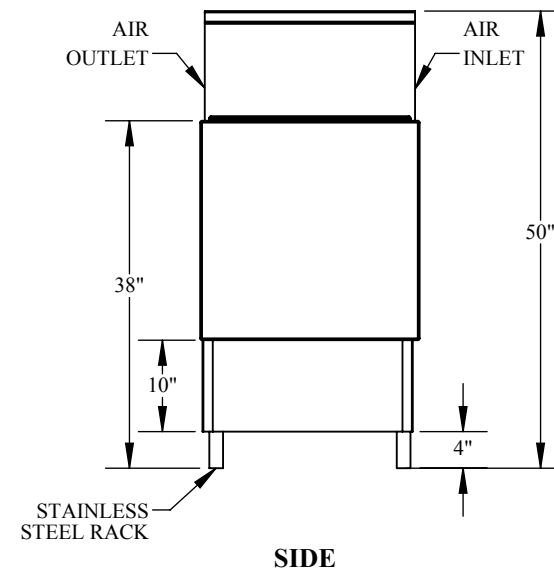
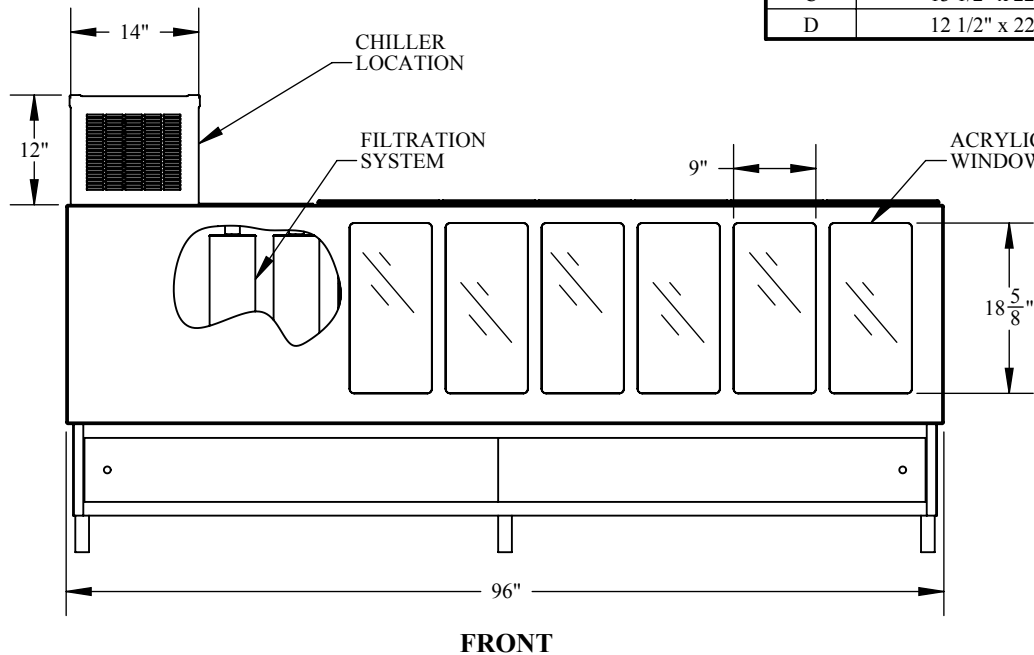


# ALBT-86



TANK LID DIMENSIONS	
A	10 1/2" x 22"
B	12 1/2" x 22"
C	13 1/2" x 22"
D	12 1/2" x 22"



- CHILLER 1/3 HP 115V 7.2 AMPS
- SUBMERSIBLE WATER PUMP 115V .82 AMPS

**NOTES:**  
 -TANK REQUIRES A DEDICATED 115 VOLT 15 AMP OUTLET CIRCUIT.  
 -ALL DIMENSIONS ARE APPROXIMATE AND CAN CHANGE WITHOUT NOTICE.

**aquo**  
 LOGIC  
 Aquatic Design, Manufacturing & Integration

9558 Camino Ruiz, San Diego, CA 92126

* COPYRIGHT * These drawings including design idea and construction techniques herein are the sole property of Aquo Logic Inc. They shall not be revised, copied, or reproduced in any manner without the written consent of Aquo Logic Inc.	DESCRIPTION BAIT TANKS		DRAWING # PDF-0502	SHEET TITLE ALBT-86 SPECIFICATIONS	
	DRAWN BY Arnaldo Guzman	DATE 3/30/2016	REVISION	SCALE	SHEET # 1 OF 1