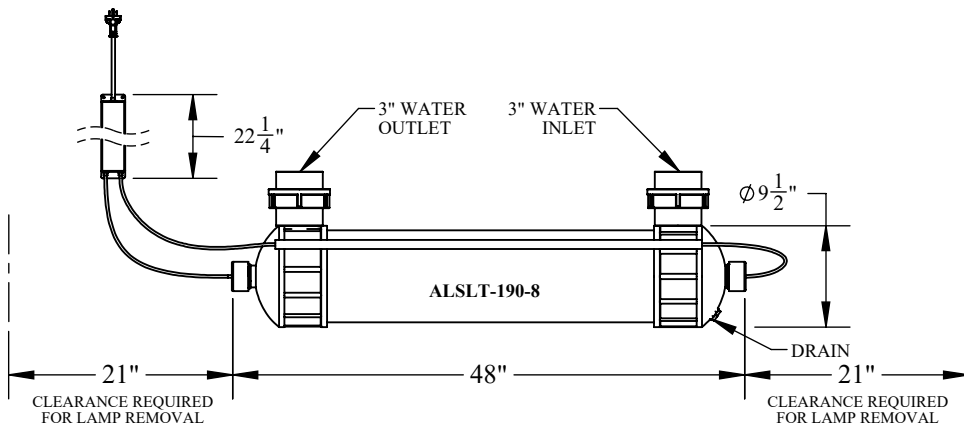
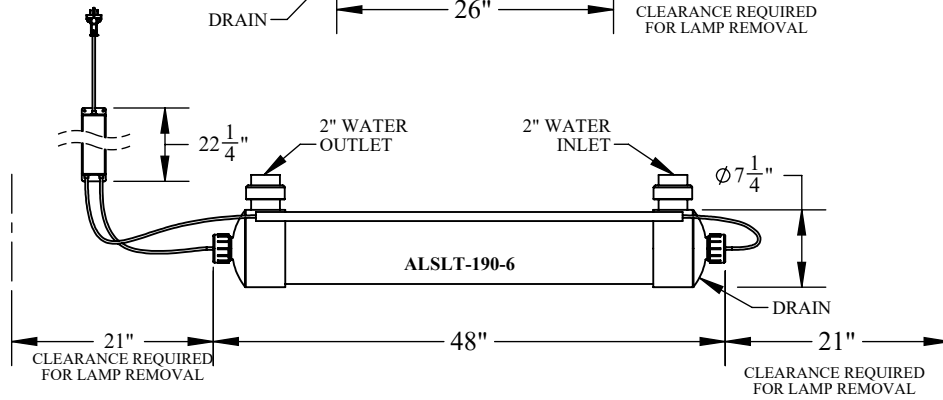
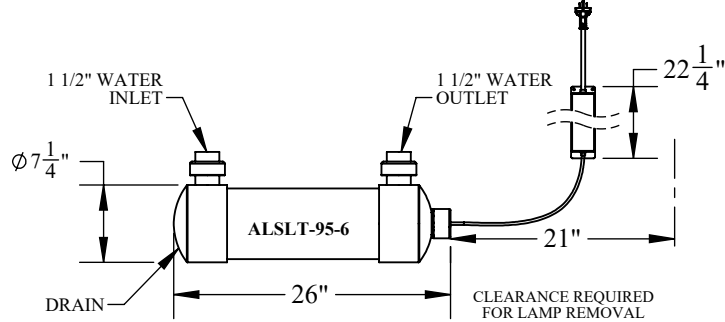
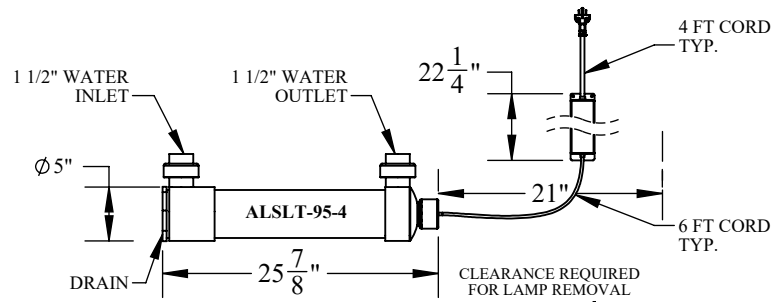


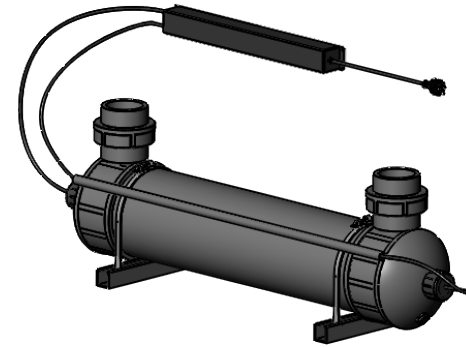
ALSLT-95 THRU 190-8 UV STERILIZERS



POWER CORD
PLUG TYPE



115V 15 AMP
#5-15P



ALSLT UV STERILIZER SPECIFICATIONS

MODEL NO.	LAMP / WATTS	VOLTS	AMPS / WATTS	*WATER INLET / OUTLET	MAXIMUM WATER FLOW RATE (GPM) AT UV INTENSITY $\mu\text{Wsec/cm}^2$ @ 90% TRANSMISSIBILITY 85% AT END OF LAMP LIFE					OPTIONAL FIBERGLASS MOUNTING BRACKET PART NO.
					30K	45K	60K	90K	120K	
ALSLT-95-4	1 / 95	115	.9 / 104	1-1/2" FPT	25	17	13	8	6	UV-MB-4
ALSLT-95-6	1 / 95	115	.9 / 104	1-1/2" UNION	35	23	18	12	9	UV-MB-6
ALSLT-190-6	2 / 190	115	1.8 / 207	2" UNION	70	46	36	24	18	UV-MB-6
ALSLT-190-8	2 / 190	115	1.8 / 207	3" UNION	110	73	55	36	28	UV-MB-8

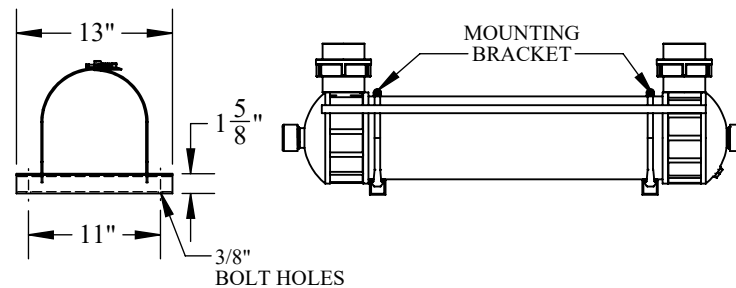
NOTE:

- SHADED AREAS HAVE WATER VELOCITIES GREATER THAN 5FT / SEC.
- ALL DIMENSIONS ARE APPROXIMATE AND CAN CHANGE AT ANY TIME.
- MAXIMUM WORKING PRESSURE FOR ALL UNITS IS 35 PSI

REPLACE UV LAMP EVERY 11 MONTHS

REPLACEMENT UV LAMP PART#: UV-BULB-095W-1

OPTIONAL FIBERGLASS MOUNTING BRACKET (SEE TABLE FOR PART NUMBER)



9558 Camino Ruiz, San Diego, CA 92126

DRAWING #
PDF-0062

SHEET TITLE
ALSLT-95 THRU 190-8
UV STERILIZERS

* COPYRIGHT *
These drawings including design idea and construction techniques herein are the sole property of Aqua Logic Inc. They shall not be revised, copied, or reproduced in any manner without the written consent of Aqua Logic Inc.

DESCRIPTION

AQUA LOGIC ULTRAVIOLET STERILIZERS

DRAWN BY
Arnaldo Guzman

DATE
4/13/2020

REVISION

SCALE

SHEET #
1 OF 1