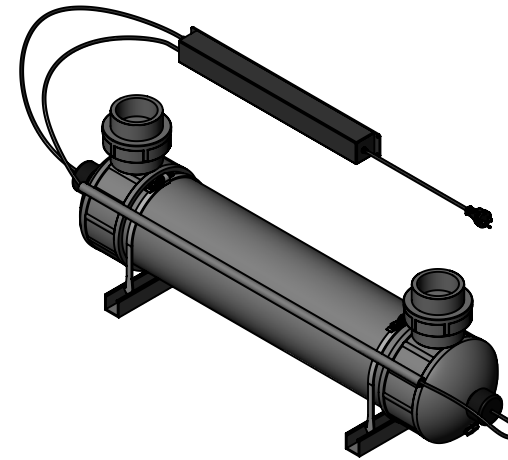
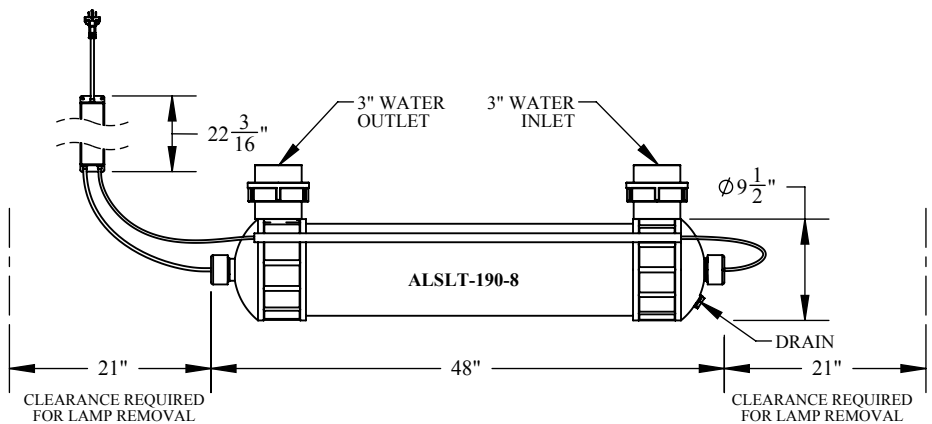
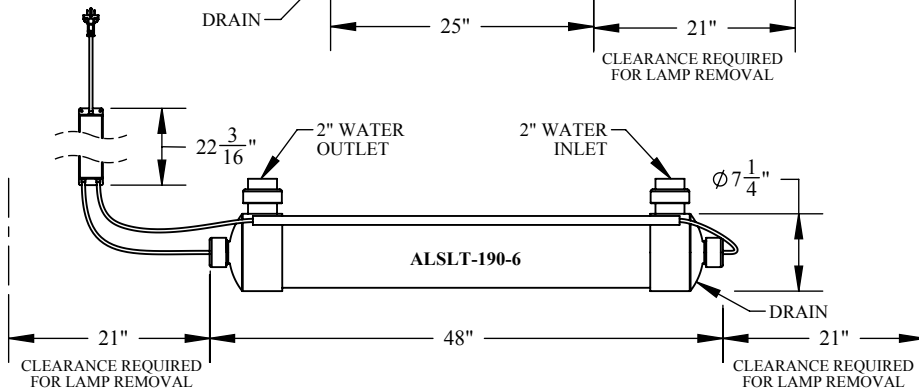
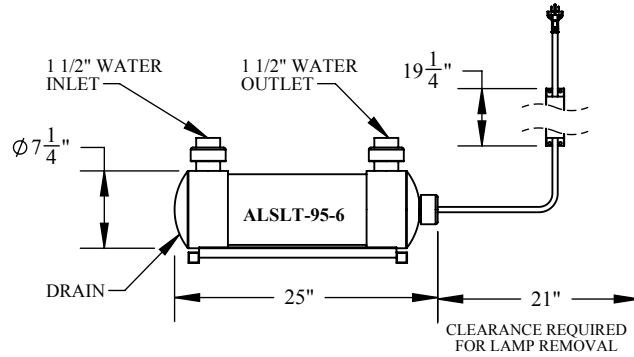
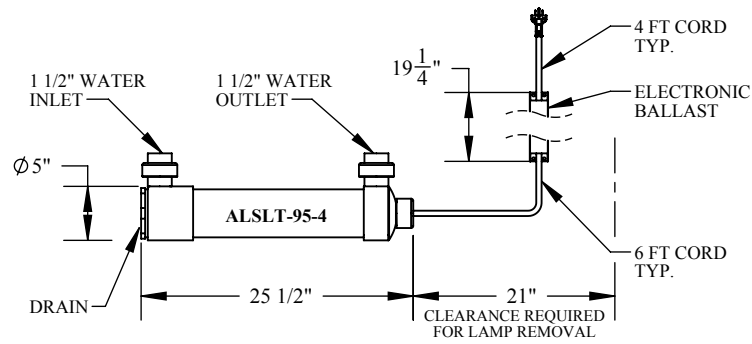
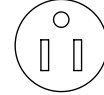


ALSLT-95 THRU 190-8 UV STERILIZERS



POWER CORD PLUG TYPE

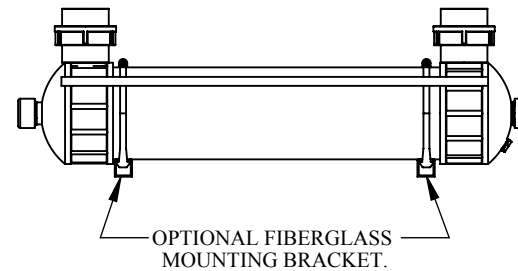


115V 15 AMP
#5-15P

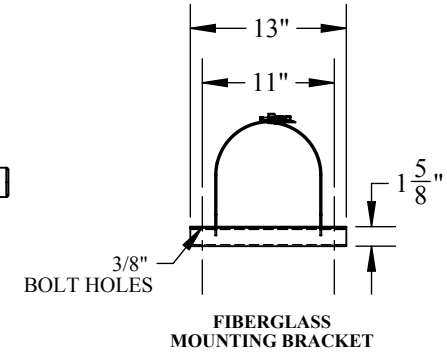
ALSLT UV STERILIZER SPECIFICATIONS									
MODEL NO.	LAMP / WATTS	VOLTS	AMPS / WATTS	* WATER INLET / OUTLET	MAXIMUM WATER FLOW RATE (GPM) AT UV INTENSITY $\mu\text{Wsec/cm}^2$ @ 90% TRANSMISSIBILITY 85% AT END OF LAMP LIFE				
					30K	45K	60K	90K	120K
ALSLT-95-4	1 / 95	115	.9 / 104	1-1/2" FPT	25	17	13	8	6
ALSLT-95-6	1 / 95	115	.9 / 104	1-1/2" UNION	35	23	18	12	9
ALSLT-190-6	2 / 190	115	1.8 / 207	2" UNION	70	46	36	24	18
ALSLT-190-8	2 / 190	115	1.8 / 207	3" UNION	110	73	55	36	28

NOTE:

- SHADED AREAS HAVE WATER VELOCITIES GREATER THAN 5FT / SEC.
- ALL DIMENSIONS ARE APPROXIMATE AND CAN CHANGE AT ANY TIME.
- MAXIMUM WORKING PRESSURE FOR ALL UNITS IS 35 PSI



OPTIONAL FIBERGLASS MOUNTING BRACKET.



FIBERGLASS MOUNTING BRACKET



9558 Camino Ruiz, San Diego, CA 92126

DRAWING # PDF-0062 SHEET TITLE ALSLT-95 THRU 190-8 UV STERILIZERS

* COPYRIGHT *
These drawings including design idea and construction techniques herein are the sole property of Aqua Logic Inc. They shall not be revised, copied, or reproduced in any manner without the written consent of Aqua Logic Inc.

DESCRIPTION	DRAWN BY	DATE	REVISION	SCALE	SHEET #
AQUA LOGIC ULTRAVIOLET STERILIZERS	Arnaldo Guzman	11/16/2015			1 OF 1