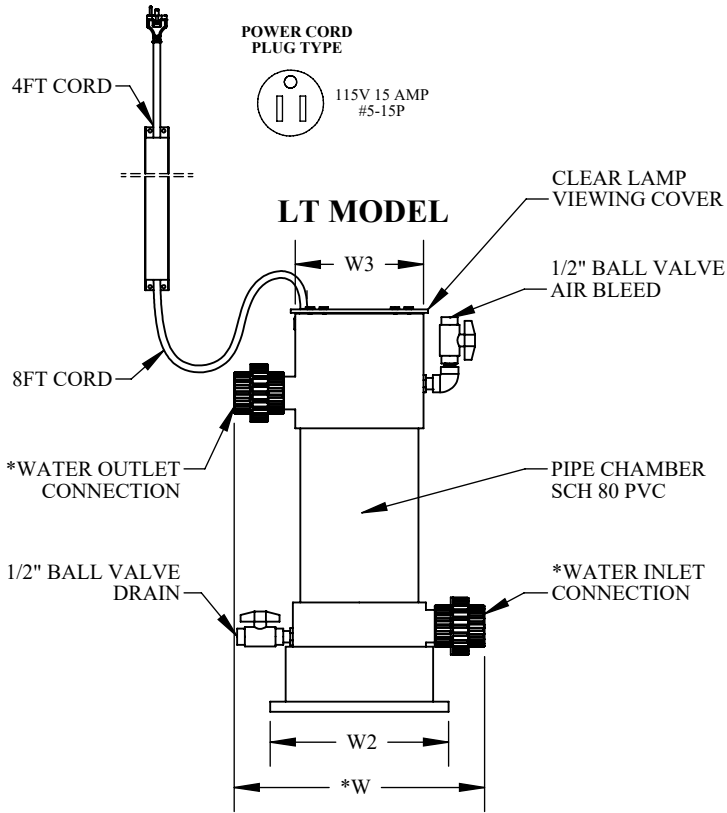
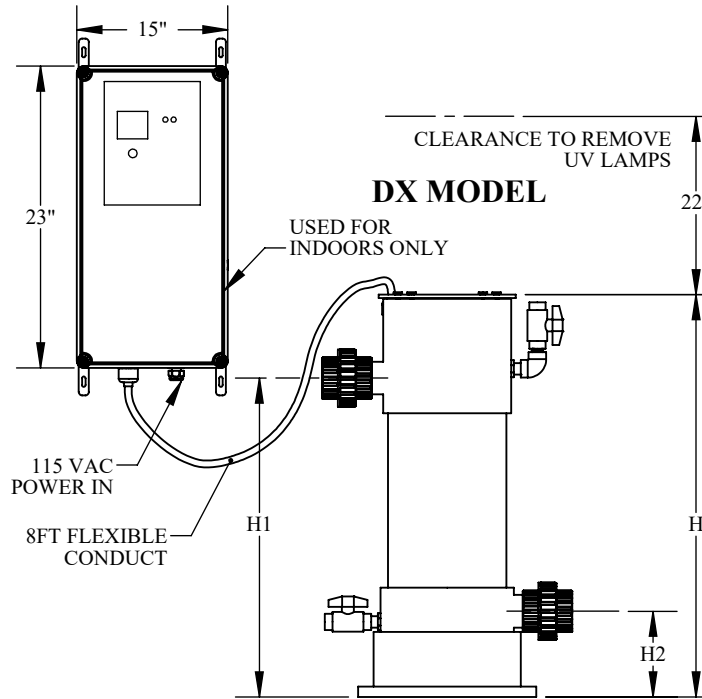


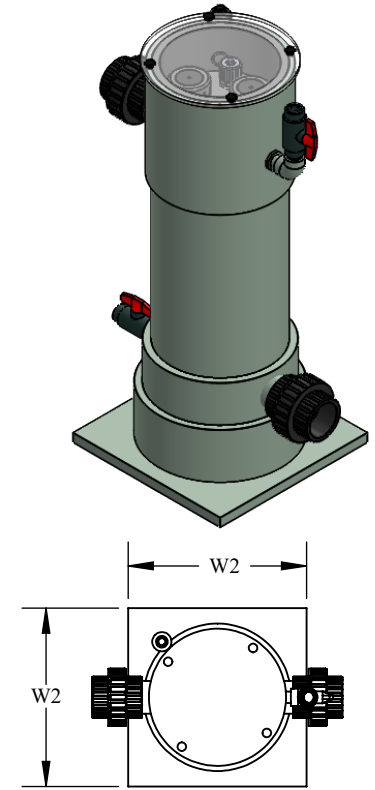
# ALSV-2 THRU ALSV-8 UV STERILIZERS



**LT MODEL INCLUDES:**  
 · EPOXY POTTED PLUG-IN BALLAST.



**DX MODEL INCLUDES:**  
 · POWER ON / OFF SWITCH.  
 · POWER AND OVER TEMPERATURE LED INDICATORS LIGHTS.  
 · LCD HOUR METER.  
 · OVER TEMPERATURE AIR AND WATER CUTOUPS.  
 · NEMA 4X RATED CONTROL BOX.  
 · INDIVIDUAL LAMP INDICATOR LIGHTS.  
 · UL-508A RATED CONTROL BOX. (OPTIONAL)



**PLAN VIEW**

**ALSV UV STERILIZER SPECIFICATIONS**

MODEL NO.	NO. OF LAMP / WATTS	VOLTS	AMPS / WATTS	*W	W2	W3	H	~H1	~H2	*STANDARD WATER IN / OUT WATER CONNECTIONS	MAXIMUM WATER FLOW RATE (GPM) AT UV INTENSITY $\mu\text{Wsec/cm}^2$ @ 90% TRANSMISSIBILITY 85% AT END OF LAMP LIFE				
											30K	45K	60K	90K	120K
											ALSV-2	2 / 190	115	1.8 / 207	18"
ALSV-3	3 / 285	115	2.5 / 287	22"	14"	12"	30.75"	21.50"	8.50"	3" UNION	151	101	76	50	38
ALSV-4	4 / 380	115	3 / 345	22"	14"	12"	30.75"	21.50"	8.50"	3" UNION	213	142	106	71	53
ALSV-5	5 / 475	115	4.5 / 517	22"	14"	12"	30.75"	21.50"	8.50"	4" FLANGE	282	188	141	94	70
ALSV-6	6 / 570	115	5.4 / 621	24"	19.5"	17.7"	31"	19.5"	8"	6" FLANGE	372	248	186	124	93
ALSV-8	8 / 760	115	7.2 / 828	24"	19.5"	17.7"	31"	19.5"	8"	6" FLANGE	533	355	266	177	133

**NOTE:**  
 · SHADED AREAS HAVE WATER VELOCITIES GREATER THAN 5 FT / SEC.  
 · CONTACT AQUA LOGIC FOR LARGER CONNECTION SIZES.

**\*NOTE:**  
 · ALSV-6-LT AND ALSV-8-LT MODELS HAVE TWO PLUG-IN BALLAST.  
 · FLOW RATES BASED ON "END OF LIFE", LAMP OUTPUT OF 85% AT 9000 HOURS.  
 · ALL DIMENSIONS ARE APPROXIMATE AND SUBJECT TO CHANGE WITHOUT NOTICE.  
 · ADD -LT OR -DX TO PART NUMBER TO SELECT POWER OPTION DESIRED  
 · ALL UNITS 50 PSIG MAXIMUM OPERATING PRESSURE.  
 · OTHER WATER CONNECTIONS SIZES ARE AVAILABLE.



9558 Camino Ruiz, San Diego, CA 92126

DRAWING #	SHEET TITLE			
	ALSV-2 THRU 8 UV SPECIFICATION			
DRAWN BY	DATE	REVISION	SCALE	SHEET #
Arnaldo Guzman	2/17/2022			1 OF 1

\* COPYRIGHT \*  
 These drawings including design idea and construction techniques herein are the sole property of Aqua Logic Inc. They shall not be revised, copied, or reproduced in any manner without the written consent of Aqua Logic Inc.

**DESCRIPTION**  
 AQUA LOGIC ULTRAVIOLET STERILIZERS