

MODEL M310 FLOW SWITCH

WATER FLOW SWITCH



1" Water Flowswitch Specifications:

- Low Flow Operation
- Model M310, 25 AMP, Pre-set for ON at 10 GPM and off at 3 GPM. Will Switch Motors Up to 1 HP, 125 VAC & 2 HP, 250 VAC
- 1/2" Electrical Conduit Connection
- Standard 1" PVC Slip Fittings
- Line Pressure to 100 PSI
- Temperature to 110°F Continuous
- Non-toxic all Wetted Surfaces - PVC, Polypropylene, Buna N, or EP
- Contain No Metal Parts to Calcify
- Seawater and Freshwater Applications

Equipment Protection:

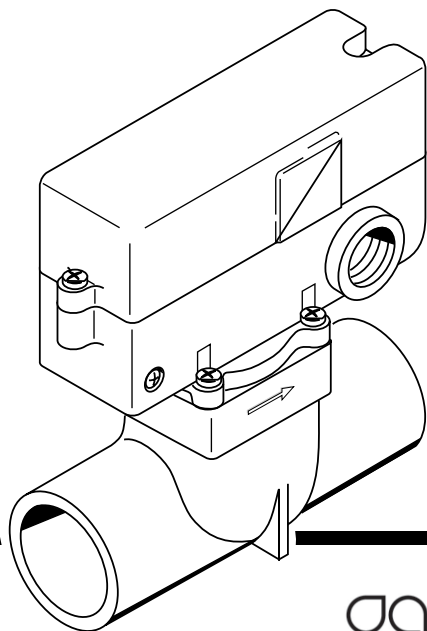
- HX-DX Heat Exchangers
- Chillers
- Heat Pumps
- Pumps
- Heating Elements
- Solar Systems
- Pool Cleaners

Water Treatment:

- Ozone Generators
- Ultraviolet Systems

IMPORTANT

Use appropriate wiring or power cord ends for the amperage draw of the equipment it is protecting.

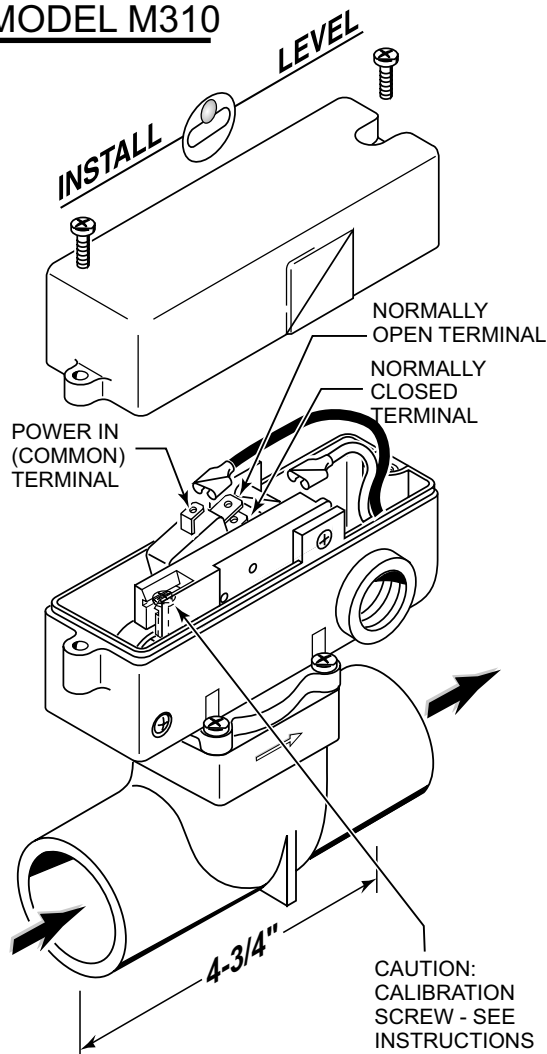


aqualogic
Aquatic Design
Manufacturing & Integration

Aqua Logic, Inc.
9558 Camino Ruiz
San Diego, CA. 92126
Ph: 858.292.4773 Fax: 858.279.0537
Email: info@aqualogicinc.com www.aqualogicinc.com

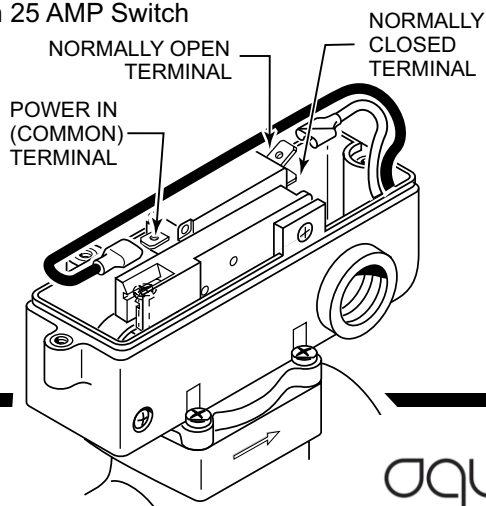
MODEL M310 FLOW SWITCH INSTRUCTIONS

MODEL M310



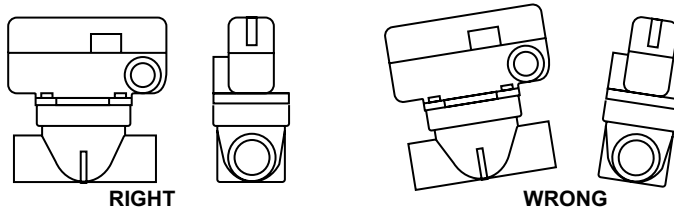
MODEL M310

with 25 AMP Switch



SWITCH INSTALLATION:

1. Inspect Flowswitch for any damage that may have occurred during shipping.
2. Note the port marking on the Flowswitch housing - Flow In and Flow Out.
3. For proper operation the Flowswitch must be mounted horizontally and level.



4. Use the Flowswitch in filtered liquids only - to prevent foreign objects from interfering with the Flowswitch operation.
5. Install filter or strainer before Flowswitch to prevent the risk of sand and/or debris from interfering with the Flowswitch operation.
6. When a chlorine generator is to be used in plumbing system -the generator must be installed down stream and away from Flowswitch.
7. Caution when cementing Flowswitch into plumbing system - PVC cement must not enter the inlet port and cause interference with Flowswitch operation.
8. Use an IAPMO, NSF, or ASTM approved or listed PVC cement and follow manufacturers instructions for use.
9. A 1/2 Inch threaded socket is provided to accept either a cord restraint or flex conduit. You must check and use local and/or national electric codes for your application.
Note: Do not use rigid conduit.

ELECTRICAL CONNECTION:

10. Remove cover by unscrewing the two cover screws.
11. Use push-on "Quick Connect" (0.032 X 0.250) connectors to attach wires to the switch terminals (USE stranded, not solid wire).
12. Route all wires on the top side of the switch to prevent wires from interfering with the switch operation.
13. Replace cover and hand tighten the two cover screws.
14. **CAUTION** Never connect a ground or neutral wire to the switch terminal or terminals. This will cause the switch to be damaged and possible fire hazard.

NOTE: N.O. = Normally Open (LOAD) Terminal. Connect to power IN on device to be switched if you want this device to be energized when water flows through the Flowswitch at its set point.

FACTORY SETTINGS:

Flowswitch are factory set at 10 GPM ON and 3 GPM OFF point.

CAUTION: Do not screw the calibration screw down - this may cause the flowswitch to stick in the ON position.



Aqua Logic, Inc.
9558 Camino Ruiz
San Diego, CA. 92126
Ph: 858.292.4773 Fax: 858.279.0537
Email: info@aqualogicinc.com www.aqualogicinc.com