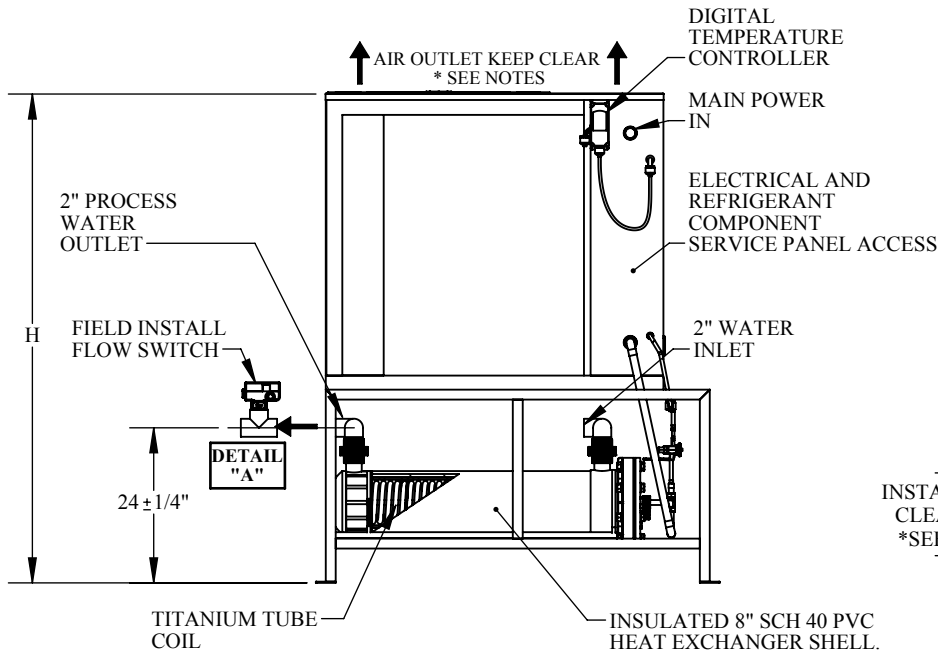
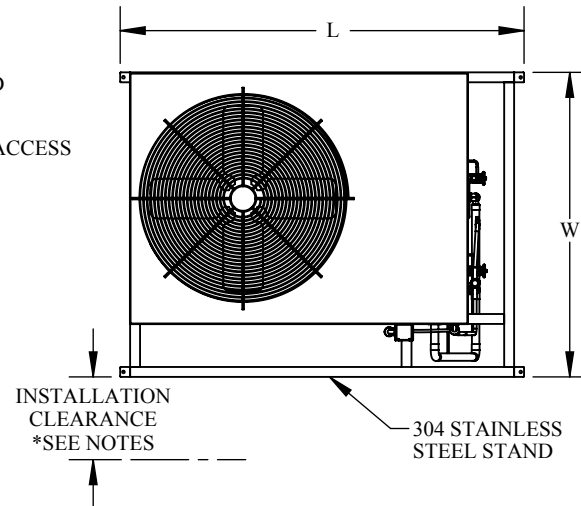


HP-6 THRU HP-7 SPECIFICATION

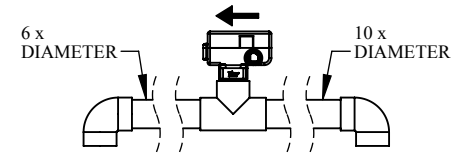
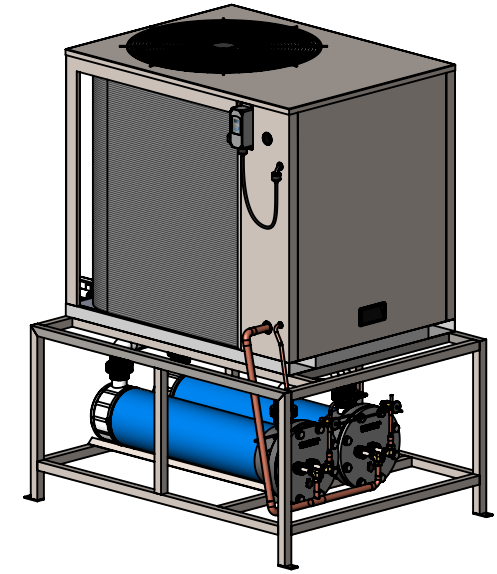
FOR INDOOR OR OUTDOOR FRESH AND SALT WATER APPLICATIONS



FRONT VIEW



PLAN VIEW



IMPORTANT!
DETAIL "A"
 · FLOW SWITCH MUST BE FIELD INSTALLED HORIZONTALLY WITH NO LESS THAN 10 TIMES THE DIAMETER OF STRAIGHT PIPE ON THE INLET SIDE AND NO LESS THAN 6 TIMES THE DIAMETER ON THE OUTLET SIDE.

OPTIONS:

- SCH 80 SHELL CONSTRUCTION.
- 316 STAINLESS STEEL STAND AND HARDWARE.
- LOW AMBIENT HEAD PRESSURE CONTROL ON COOLING MODE ONLY.
- HAIL GUARDS TO PROTECT CONDENSER FINS.
- COASTAL MARINE CONDENSER COATING.

TITAN HEAT PUMPS									
MODEL NO.	NOMINAL TONS / BTUH / KW	VOLTS / PHASE	AMPS RLA / LRA	WATER FLOW RATE (GPM)	AIR OULET (CFM)	L	W	H	SHIPPING WEIGHT (LBS)
HP-6	7.5 / 90K / 26.3	208 - 230 / 3	29 / 172	60 / 120	8200	51"	42"	68"	670
HP-6-460	7.5 / 90K / 26.3	460 / 3	15 / 94	60 / 120	8200	51"	42"	68"	675
HP-7	10 / 120K / 35.1	208 - 230 / 3	40 / 278	60 / 120	8200	61"	46"	74"	850
HP-7-460	10 / 120K / 35.1	460 / 3	15 / 90	60 / 120	8200	61"	46"	74"	850

*NORMAL OPERATING AMBIENT AIR TEMPERATURE: 50°F - 115°F.
 *ADD LOW AMBIENT HEAD PRESSURE CONTROL FOR OPERATING IN AMBIENT AIR TEMPERATURES FROM 0°F TO 50°F.
 CONSULT AQUA LOGIC IF OPERATING AT TEMPERATURES OUTSIDE THESE RANGES.

***NOTES:**

- TOP DISCHARGE AREA SHOULD BE UNRESTRICTED FOR 100 INCHES MINIMUM.
- UNIT SHOULD BE PLACED SO ROOF RUN-OFF WATER DOES NOT POUR DIRECTLY ON UNIT.
- RECOMMENDED MINIMUM CLEARANCE FOR PROPER OPERATION AND MAINTENANCE IS 36" FROM WALLS, SHRUBBERY, FENCES, ETC.
- MINIMUM CLEARANCE BETWEEN ADJACENT UNITS IS 72 INCHES.
- ALL DIMENSIONS ARE APPROXIMATE AND CAN CHANGE AT ANY TIME.



9558 Camino Ruiz, San Diego, CA 92126

DRAWING # PDF-0238 SHEET TITLE HP-6 THRU HP-7 SPECIFICATIONS

* COPYRIGHT * These drawings including design idea and construction techniques herein are the sole property of Aqua Logic Inc. They shall not be revised, copied, or reproduced in any manner without the written consent of Aqua Logic Inc.		DESCRIPTION TITAN HEAT PUMP AIR COOLED		DRAWN BY Arnaldo Guzman		DATE 11/13/2015		REVISION		SCALE		SHEET # 1 OF 1	
---	--	---	--	----------------------------	--	--------------------	--	----------	--	-------	--	-------------------	--