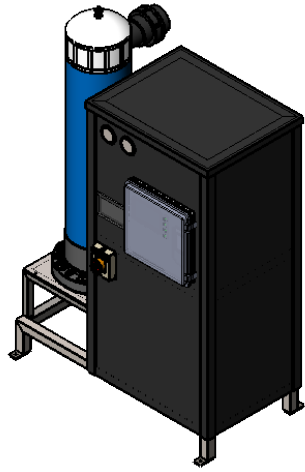
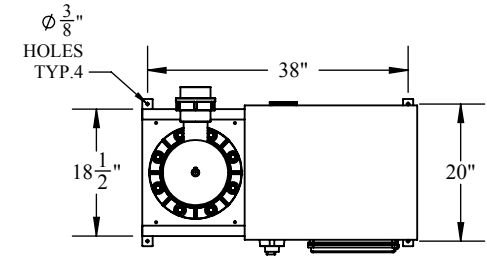


MT-10-WCV WATER COOLED CHILLER

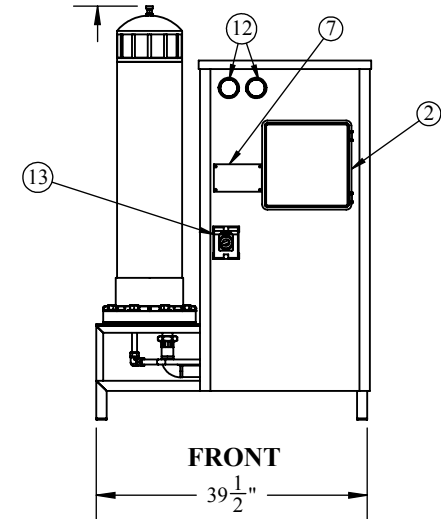
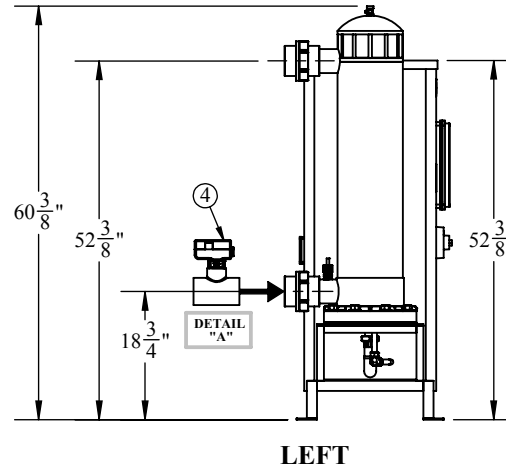
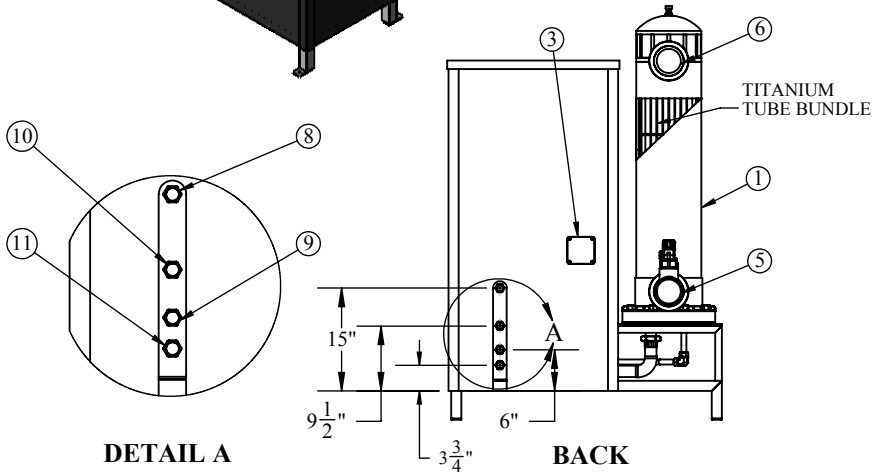


NO.	NAME
1	EVAPORATOR-TITANIUM TUBE / 8" SCH 40 PVC SHELL
2	TEMPERATURE CONTROLLER / NEMA 4X ELECTRICAL CONTROL BOX
3	JUNCTION BOX FOR SUPPLY POWER
4	WATER FLOW SWITCH (SEE NOTE FOR INSTALLATION)
5	3" NPS SLIP UNION EVAPORATOR WATER INLET
6	3" NPS SLIP UNION EVAPORATOR WATER OUTLET
7	LOW / HI REFRIGERANT PRESSURE SAFETY CUTOUT
8	CONDENSER WATER OUTLET
9	CONDENSER WATER INLET
10	CONDENSER WATER CLEAN OUT OUTLET
11	CONDENSER WATER CLEAN OUT INLET
12	REFRIGERANT PRESSURE GAUGES
13	POWER DISCONNECT SWITCH



PLAN VIEW

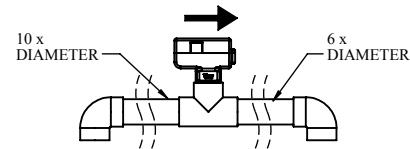
CL - SHELL
REMOVAL CLEARANCE



MULTI-TEMP WATER-COOLED CHILLER									
MODEL NO.	NOMINAL TON / BTUH	VOLTZ / PHASE	COMPRESSOR NO. / TONS	AMPERAGE RLA / LRA	EVAPORATOR WATER FLOW MIN / MAX (GPM)	CONDENSER WATER FLOW (GPM) / PSI DROP @ 65°F ENTERING	CONDENSER WATER CONNECTIONS (NPT)	CL	SHIPPING DIMENSIONS (IN.)
MT-10-WCV	10 / 120,000	208-240 / 3	1 / 10	36 / 240	120 / 160	9 / 4	1"	46"	48 x 28 x 66
MT-10-460-WCV	10 / 120,000	460 / 3	1 / 10	17 / 114	120 / 160	9 / 4	1"	46"	48 x 28 x 66

NOTES

- WHEN THE CHILLER IS IN THE OFF CYCLE, WATER FLOWING THROUGH THE CONDENSER IS STOPPED.
- WATER FLOW RATE THROUGH THE EVAPORATOR NEEDS TO BE MAINTAINED CLOSE TO MAXIMUM GPM WHEN THE WATER TEMPERATURE IS 55 °F AND BELOW.
- ALL UNITS ARE 60 HZ.
- CONDENSER FLOW RATE IS BASED ON A MINIMUM OF 55°F AND MAXIMUM OF 75°F WATER TEMPERATURE. IF OPERATING OUTSIDE THESE PARAMETERS CONTACT AQUA LOGIC TECHNICAL SUPPORT.
- IF MAINTAINING AN EVAPORATOR WATER TEMPERATURE BELOW 55 °F CONSULT AQUA LOGIC TECHNICAL SUPPORT.
- THE SPECIFIED AMPERAGE IS BASED ON UNITS RUNNING WITH A 75°F INFLUENT EVAPORATOR WATER TEMPERATURE.
- NOMINAL AMPERAGE CAN CHANGE WITH ON HEAD PRESSURE.
- ALL DIMENSIONS ARE APPROXIMATE AND CAN CHANGE AT ANY TIME.



** IMPORTANT! -DETAIL "A"

-FLOW SWITCH MUST BE FIELD INSTALLED VERTICALLY ON A HORIZONTAL STRAIGHT PIPE WITH NO LESS THAN 10 TIMES THE PIPE DIAMETER ON THE INLET SIDE AND NO LESS THAN 6 TIMES THE DIAMETER ON THE OUTLET SIDE.

OPTIONS:

- SCH 80 PVC SHELL CONSTRUCTION.
- 316 STAINLESS STEEL STAND AND HEX BOLTS.



9558 Camino Ruiz, San Diego, CA 92126

DRAWING # PDF-0097 SHEET TITLE

MT-10-WCV SPECIFICATIONS

* COPYRIGHT *
These drawings including design idea and construction techniques herein are the sole property of Aqua Logic Inc. They shall not be revised, copied, or reproduced in any manner without the written consent of Aqua Logic Inc.

DESCRIPTION

MT-10-WCV WATER COOLED CHILLER.

DRAWN BY
Arnaldo Guzman

DATE
1/12/2018

REVISION

SCALE
1:32

SHEET #
1 OF 1