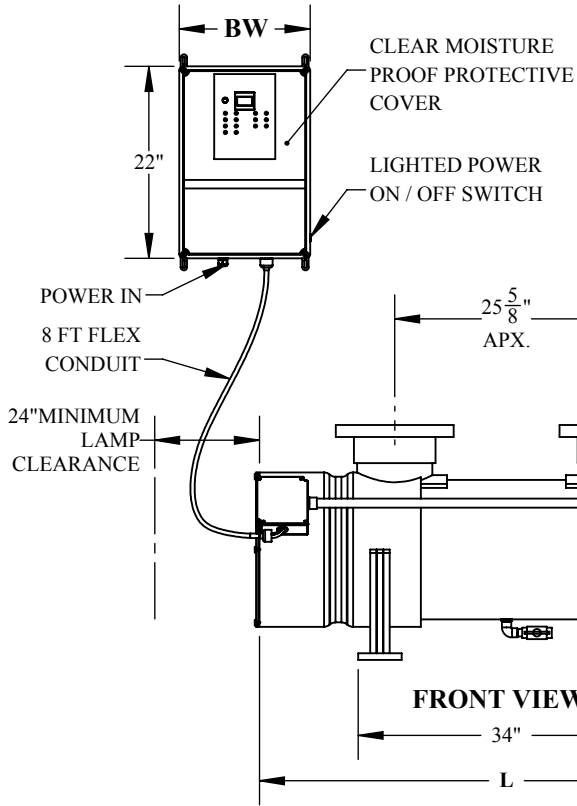


# ALS-7608.12 THRU ALS-152016.16 UV STERILIZERS

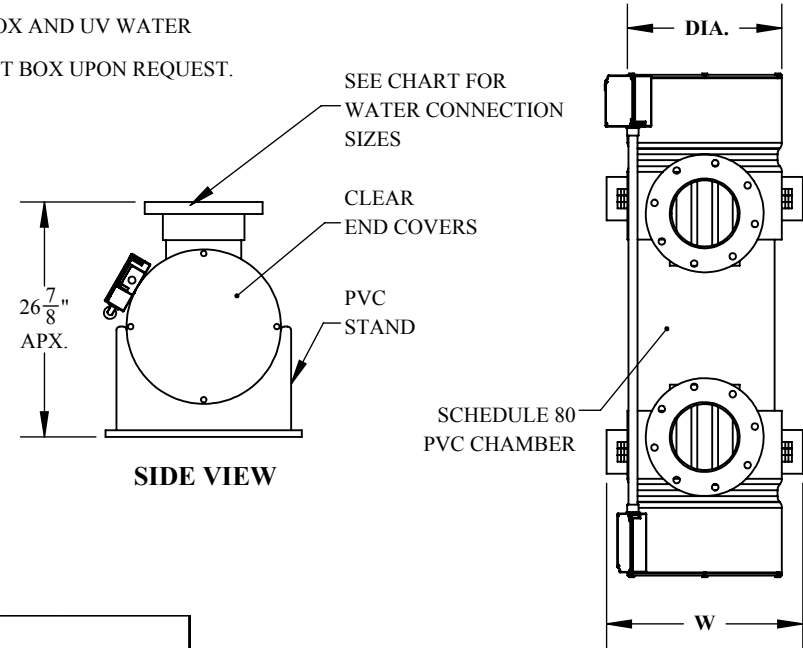
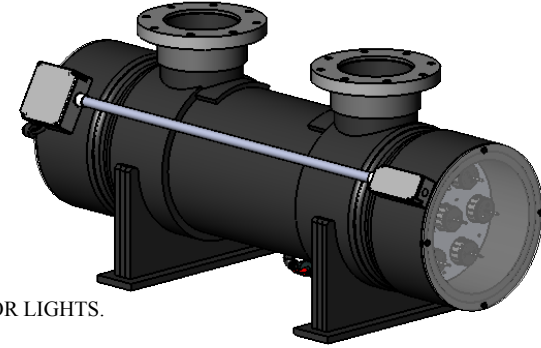


### CONTROL BOX WIDTH (BW)

- MODELS ALS-760 THRU 1140 15" WIDE
- MODELS ALS-1330 & 1520 20" WIDE

### CONTROL PACKAGE INCLUDES:

- LIGHTED POWER ON / OFF SWITCH.
- POWER AND OVER TEMPERATURE LED INDICATOR LIGHTS.
- INDIVIDUAL LAMP INDICATOR LIGHTS.
- LCD HOUR METER.
- OVER TEMPERATURE BALLAST BOX AND UV WATER CHAMBER CUTOUPS.
- (OPTION) UL-508A LISTED BALLAST BOX UPON REQUEST.



ALS UV STERILIZER SPECIFICATIONS													
MODEL NO.	UV UNIT BULB TOTAL WATTS	NO. OF LAMPS	VOLTS	AMPS / WATTS	L	W	CHAMBER DIA.	*WATER INLET / OUTLET CONNECTIONS	MAXIMUM WATER FLOW RATE (GPM) AT UV INTENSITY $\mu\text{Wsec/cm}^2$ @ 90% TRANSMISSIBILITY 85% AT END OF LAMP LIFE				
									30K	45K	60K	90K	120K
ALS-7608.12	760	8	115	6 / 690	53 3/4"	17 1/2"	12"	6" FLANGE	408	271	204	135	102
ALS-95010.12	950	10	115	7.5 / 863	53 3/4"	17 1/2"	12"	6" FLANGE	500	333	250	166	125
ALS-114012.12	1140	12	115	9 / 1035	53 3/4"	17 1/2"	12"	6" FLANGE	560	372	280	187	140
ALS-114012.16	1140	12	115	9 / 1035	56 3/4"	22 1/2"	16"	6" FLANGE	693	460	346	231	173
ALS-133014.16	1330	14	220	10.5 / 1150	56 3/4"	22 1/2"	16"	8" FLANGE	780	519	390	260	195
ALS-152016.16	1520	16	220	12 / 1380	56 3/4"	22 1/2"	16"	8" FLANGE	876	583	438	292	219

### \*NOTE:

- FLOW RATES BASED ON "END OF LIFE", LAMP OUTPUT OF 85% AT 9000 HOURS.
- SHADED AREAS HAVE WATER VELOCITIES GREATER THAN 5 FT / SEC.
- WATER CONNECTIONS MAY CHANGE ACCORDING TO FLOW RATE, OTHER SIZES AVAILABLE.
- ALL DIMENSIONS ARE APPROXIMATE AND SUBJECT TO CHANGE WITHOUT NOTICE.



9558 Camino Ruiz, San Diego, CA 92126

DRAWING # PDF-0225 SHEET TITLE ALS-7608.12 THRU 152016.16 UV SPACIFICATION

\* COPYRIGHT \*  
These drawings including design idea and construction techniques herein are the sole property of Aqua Logic Inc. They shall not be revised, copied, or reproduced in any manner without the written consent of Aqua Logic Inc.

DESCRIPTION  
AQUA LOGIC ULTRAVIOLET STERILIZERS

DRAWN BY Arnaldo Guzman DATE 10/19/2017 REVISION SCALE 1:22 SHEET # 1 OF 1