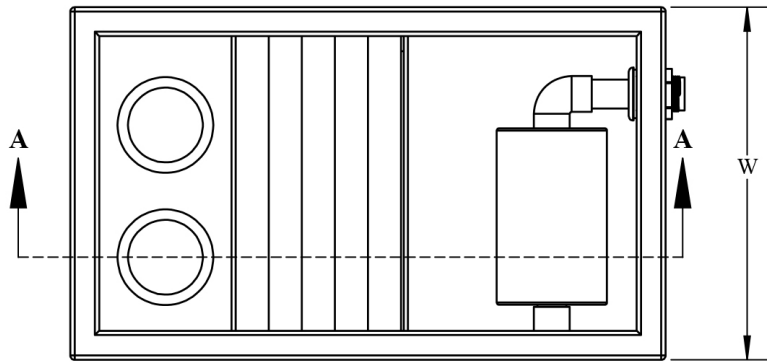
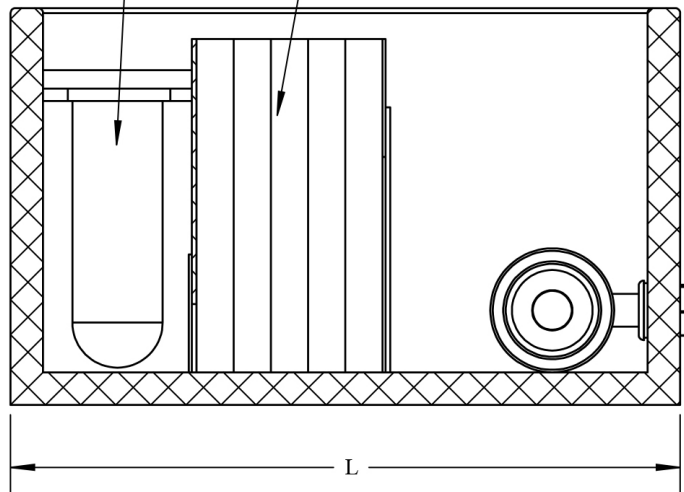


STANDARD FILTER-SUMP 100, 150, 200 GALLON TANKS

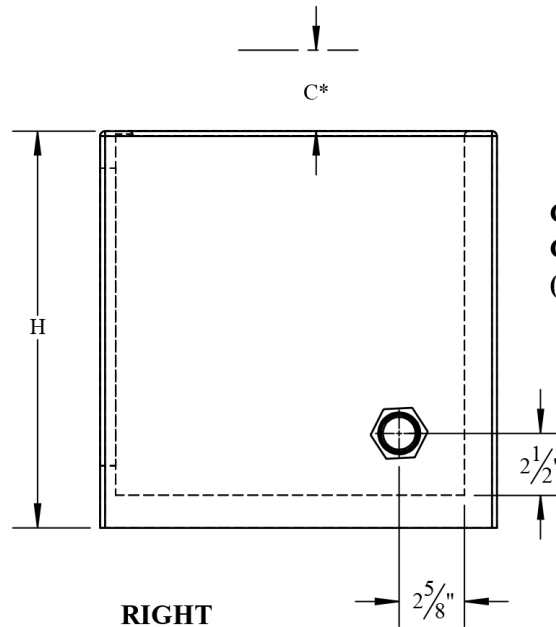


TOP

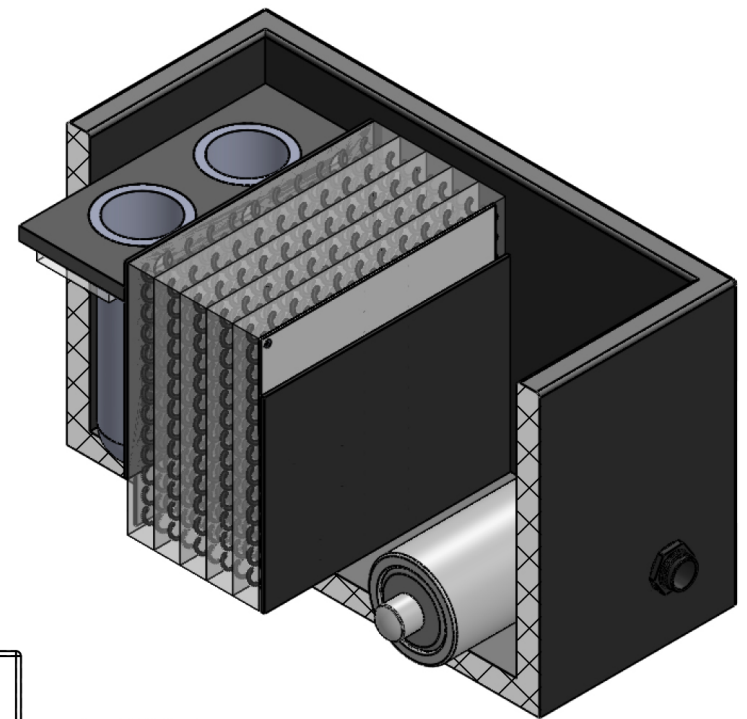
SEAMLESS FELT FILTER BAGS MEDIA AREA



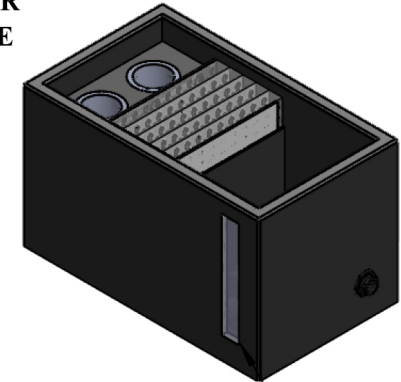
SECTION A-A



RIGHT



C*: SKIMMER CLEARANCE (IF ADDED)



SIGHT GLASS WINDOW

SUMP AVAILABLE IN:

- BLACK
- WHITE
- BLUE

MEDIA OPTIONS:

- MATALA
- BIO BALLS, BARRELS
- CERAMIC

OPTIONS (MAY AFFECT CONFIGURATION OF FILTER CELL):

- EXTERNAL PUMP OR SUBMERSIBLE PUMP
- PROTEIN SKIMMER

CUSTOMIZATION	YES/NO
SUMP COLOR	
PUMP	
CUSTOM BULKHEAD LOCATION	
PROTEIN SKIMMER	

MODEL	L(in.)	W(in.)	H(in.)	FILTER BAGS	BAG HEIGHT	AVAILABLE PARTICLE SIZES (MICRONS)	BAG DIAMETER	AQUARIUM CAPACITY	INTERIOR TANK VOL.	MEDIA VOLUME (cu. ft.)	C*
Sump-100	27	16	16	2	14"	5, 25, 50, 100	4"	100	20 gallons	0.6	11.2"
Sump-150	28	18	18	2	14"	5, 25, 50, 100	4"	150	28 gallons	1.3	12.3"
Sump-200	30	24	18	2	14"	5, 25, 50, 100	4"	200	42 gallons	1.7	12.3"



9558 Camino Ruiz, San Diego, CA 92126

DRAWING # PDF-0888

SHEET TITLE STANDARD SUMPS

* COPYRIGHT *
These drawings including design idea and construction techniques herein are the sole property of Aqua Logic Inc. They shall not be revised, copied, or reproduced in any manner without the written consent of Aqua Logic Inc.

DESCRIPTION
STANDARD FILTRATION SUMP 100
STANDARD SUMP SPECIFICATION SHEET

DRAWN BY CTRAN DATE 2/24/2017 REVISION

SCALE SHEET #