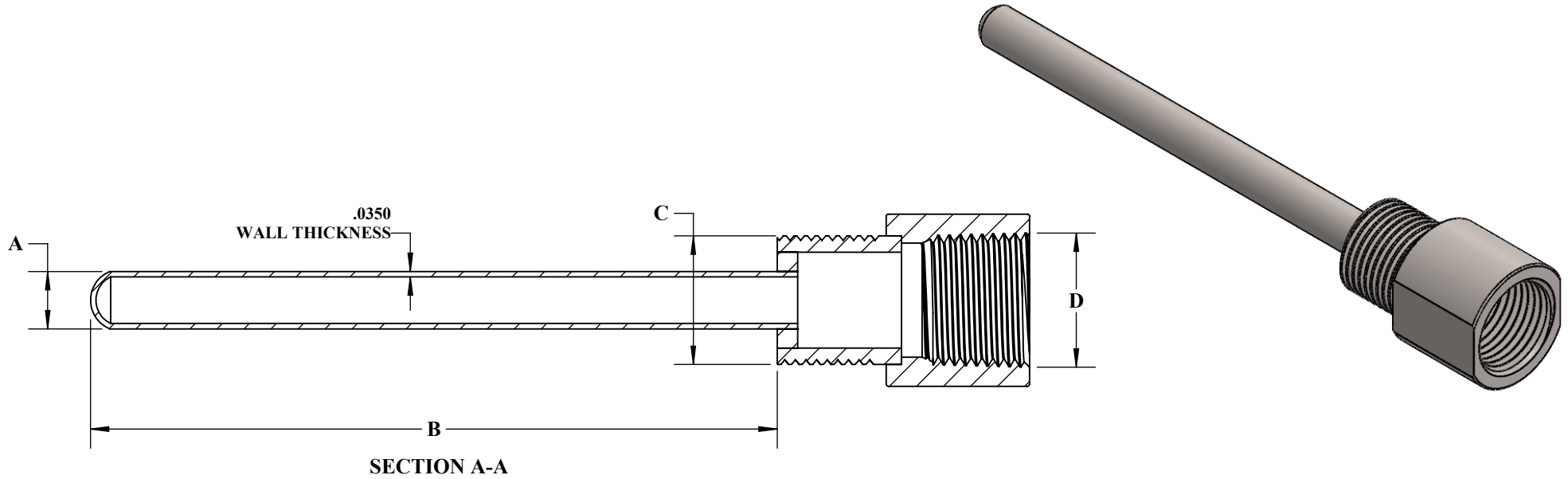


# TITANIUM PROBE WELL, SPECIFICATION SHEET



A (O.D.)	B (LENGTH)	C (MPT)	D (FPT)

SIZE	OPTIONS
A= SENSOR WELL DIAMETER (O.D.) *WALL THICKNESS .035"	3/8" , 1/2" , 3/4"
B= SENSOR WELL (LENGTH)	SPECIFIED BY CUSTOMER
C= OUTER THREAD SIZE (MPT)	1/2" , 3/4" , 1"
D= INNER THREAD SIZE (FPT)	1/4" , 1/2" , 3/4" , 1"



9558 Camino Ruiz, San Diego, CA 92126

DRAWING # SHEET TITLE

**TITANIUM  
PROBE WELL**

**\* COPYRIGHT \***  
These drawings including design idea and construction techniques herein are the sole property of Aqua Logic Inc. They shall not be revised, copied, or reproduced in any manner without the written consent of Aqua Logic Inc..

DESCRIPTION

DRAWN BY  
Arnaldo Guzman

DATE  
10/1/2018

REVISION

SCALE

SHEET #

1 OF 1