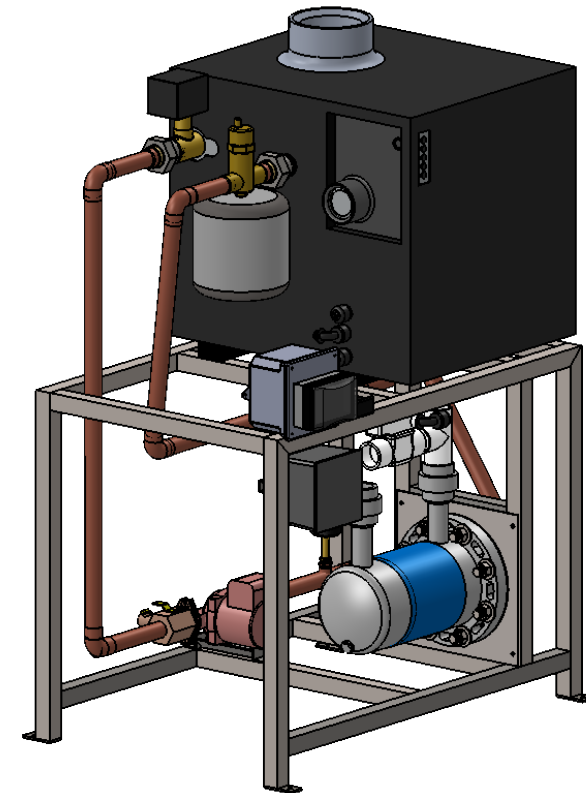
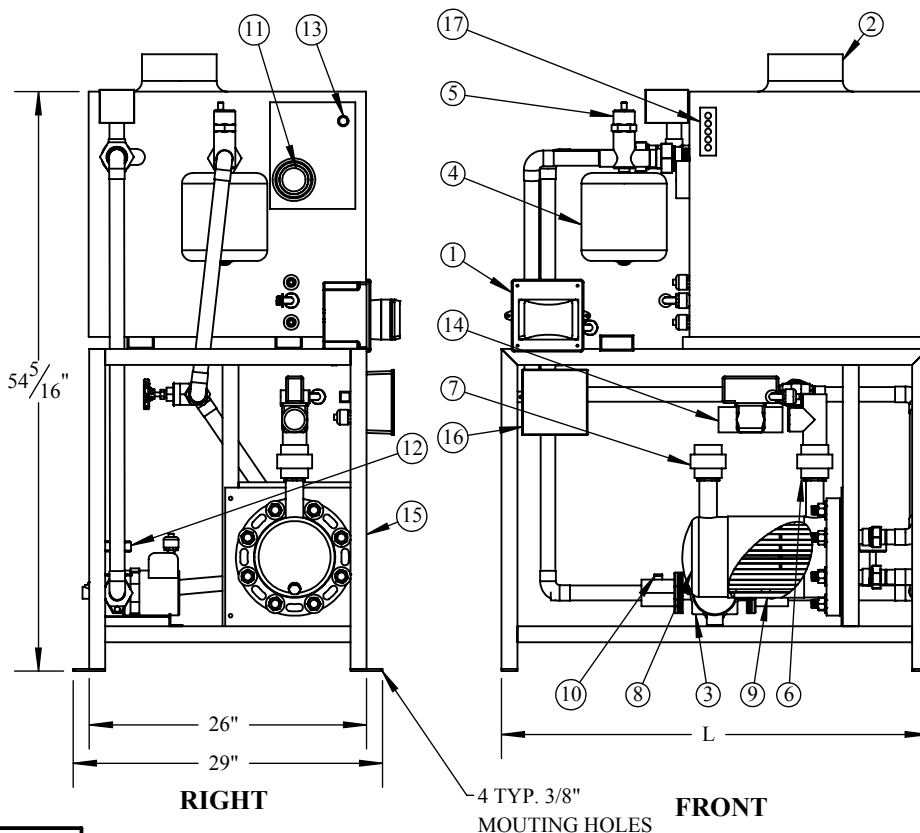


# ALB-84 THRU ALB-335 SPEC SHEET

REFERENCE DESCRIPTION	
1	CONTROL BOX WITH TEMPERATURE CONTROLLERS
2	OPTIONAL OUTDOOR EXHAUST VENT BOILER CAP
3	120 VOLT HOT WATER CIRCULATOR PUMP
4	HOT WATER BLADDER TANK
5	BALDDER TANK AIR BLEED
6	SLIP PROCESS WATER INLET(SEE CHART)
7	SLIP PROCESS WATER OUTLET(SEE CHART)
8	SCH 40 CPVC PROCESS HEAT EXCHANGER SHELL
9	GD2 TITANIUM TUBE BUNDLE WITH 1/2" TUBES
10	BOILER SYSTEM DRAIN / FILL VALVE
11	COMBUSTION AIR INTAKE COVER
12	BOILER WATER THERMOMETERS / PRESSURE GAUGES
13	BOILER GAS CONNECTION (SEE CHART)
14	SAFETY FLOW SWITCH (PROCESS SIDE) ± SEE NOTE FOR INSTALLATION
15	304 STAINLESS STEEL STAND
16	MAIN POWER IN
17	BOILER DIAGNOSTICS CENTER



HEATER SIDE	CLEARANCES			
	INDOOR		OUTDOOR	
	MINIMUM (in.)	SERVICE (in.)	MINIMUM (in.)	SERVICE (in.)
BACK	1	6	12	12
LEFT	12	24	36	36
RIGHT	1	24	36	36
TOP	1	6	+	+
FRONT	OPEN	24	OPEN	OPEN
VENT	2	2	N/A	N/A

**NOTE:**

1. ALL HEATERS INCLUDE G-12 CALIFORNIA CODE COMPLAINT
2. HEATER INPUT AND OUTPUT MUST BE DE-RATED 4% PER 1000 FT ABOVE SEA LEVEL WHEN INSTALLED ABOVE 2000 FT ALTITUDE
3. RECOMMENDED NATURAL GAS PRESSURE IS 7-10.5" WC. FOR PROPANE GAS PRESSURE IS 11-13" WC
4. **WARNING:** FOR INDOOR VENTING, PVC CANNOT BE USED FOR VENTING

+ UNOBSTRUCTED

**±NOTE: FLOW SWITCH INSTALLATION**

FLOW SWITCH MUST BE INSTALLED VERTICAL ON A HORIZONTAL PIPE WITH AT LEAST 15 INCHES OF STRAIGHT 9 INCHES OF STRAIGHT PIPE ON THE WATER OUTLET SIDE

ALB SERIES TITANIUM GAS FIRED WATER HEATER PACKAGES															
MODEL	VOLTAGE / AMPS	INPUT MBTUH	IBR NET OUTPUT RATING MBTUH / kW	AFUE (%)	NATURAL GAS CONSUMPTION (ft <sup>3</sup> /hr)	PROPANE GAS(LP) CONSUMPTION (GPH)	GAS CONNECTION (NPT)	FLUE DIA.	WATER IN/OUT (NPS)	WATER FLOW RATE (GPM)	L(in.)	* SHIPPING SIZE (L X W H) INCHES			* SHIP WEIGHT (LBS)
ALB-84	120 / < 10	100	84 / 24.5	84	98	1.0	3/4"	4	1-1/2"	25	30	35	33	65	325
ALB-126	120 / < 10	150	126 / 36.9	84	146	1.64	3/4"	4	1-1/2"	30	34	39	33	65	365
ALB-210	120 / < 10	250	210 / 61.5	84	243	2.73	3/4"	5	1-1/2"	40	37	42	33	65	450
ALB-251	120 / < 10	299	251 / 73.5	84	290	3.27	3/4"	5	1-1/2"	50	44	49	33	65	500
ALB-335	120 / < 10	399	335 / 98	84	387	4.36	3/4"	6	1-1/2"	60	50	55	33	65	600

\* COPYRIGHT \*  
These drawings including design idea and construction techniques herein are the sole property of Aqua Logic Inc. They shall not be revised, copied, or reproduced in any manner without the written consent of Aqua Logic Inc.

**DESCRIPTION**

<b>DRAWN BY</b> CTRAN	<b>DATE</b> 2/14/2019	<b>REVISION</b>	<b>SCALE</b>	<b>SHEET #</b> 1 OF 1
--------------------------	--------------------------	-----------------	--------------	--------------------------



9558 Camino Ruiz, San Diego, CA 92126

DRAWING # SHEET TITLE

**ALB**